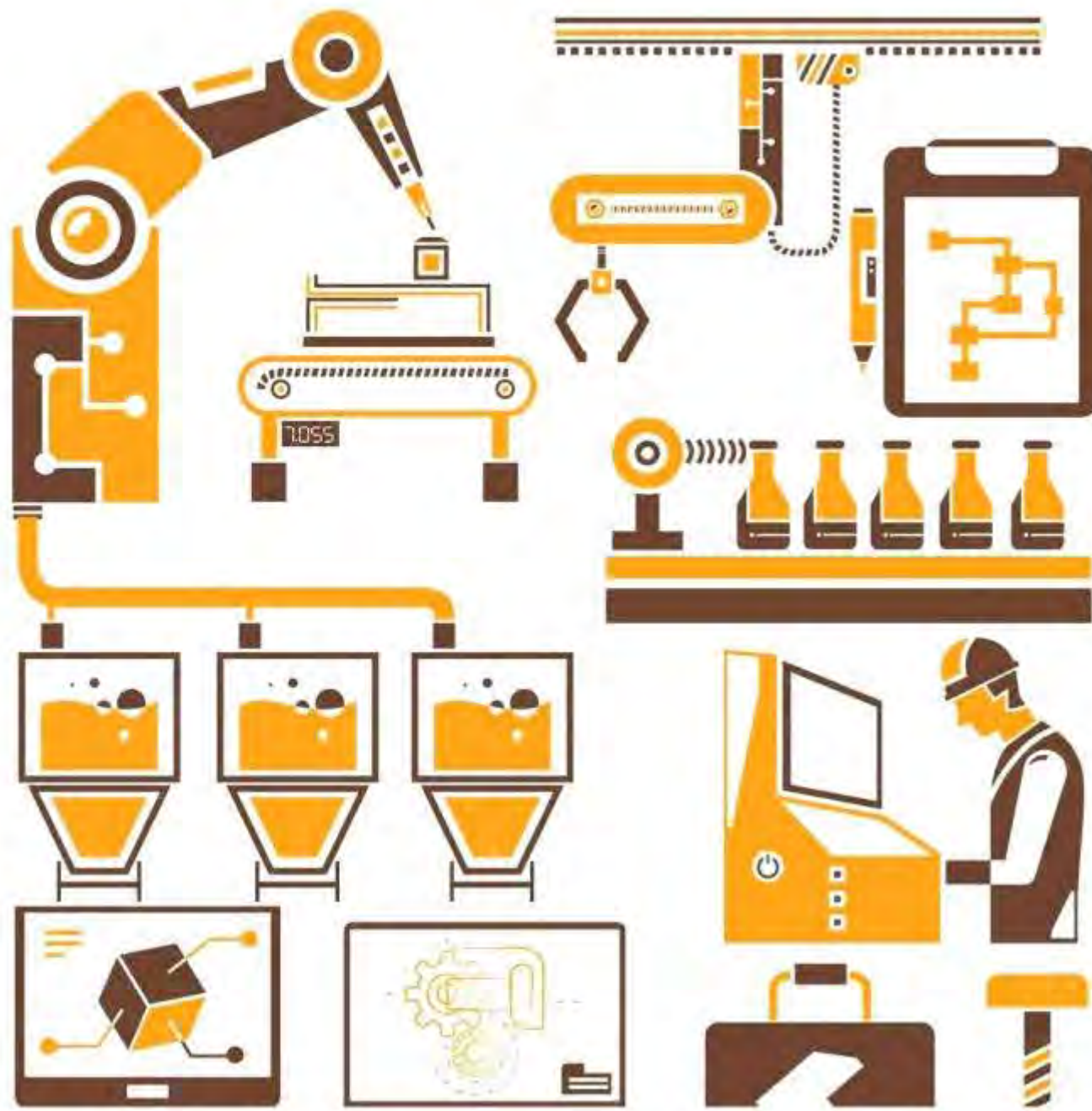


ZEP

CHINA POLYURETHANE
EQUIPMENT EXPERT
中国聚氨酯设备专家



ZCE 泽程®
WWW.ZCEPU.COM



2025 Zecheng Manufacturing

Zecheng manufacture adheres to the basic principle of “innovation drive, quality first, green development, structural optimization, talent-based” and adheres to “market-led, government-led, current, long-term, overall promotion, key breakthroughs, and independent development. The basic principle of opening and cooperation, through the “three steps” to achieve the strategic goal of manufacturing strong enterprises: the first step, step into the ranks of strong manufacturing enterprises; the second step, to the chinese manufacturing industry as a whole reach the level of the world's manufacturing power camp; in three steps, when the people’ s republic of china was founded a hundred years ago, its comprehensive strength has entered the forefront of manufacturing companies in the world.

泽程智造，坚持“创新驱动、质量为先、绿色发展、结构优化、人才为本”的基本方针，坚持“市场主导、政府引导、继续当前、着眼长远、整体推进、重点突破、自主发展、开放合作”的基本原则，通过“三步走”实现制造强企的战略目标：第一步，迈入制造强企行列；第二步，到中国制造业整体达到世界制造强国阵营中等水平；第三步，到新中国成立一百年时，综合实力进入世界制造强企前列

ZECHENG 

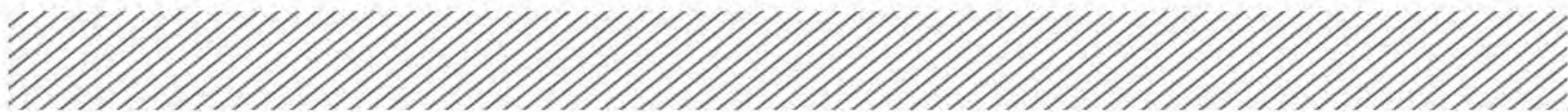


中国聚氨酯设备专家
CHINA POLYURETHANE
EQUIPMENT EXPERT

Leading manufacturer in China
Specialize in PU equipment about 20 years



ZECHENG



COMPANY PROFILE

企业简介



China polyurethane
Equipment expert

中国聚氨酯设备专家





温州市泽程机电设备有限公司（原温州巨龙聚氨酯设备厂）是我国较早从事聚氨酯设备研发和生产的企業之一，是一家以聚氨酯设备技术创新与服务为特色、以聚氨酯设备生产贸易为主导产业的专业型企业。

本公司致力于开发和生产各类聚氨酯发泡设备、聚氨酯弹性体浇注设备、以及模具承载生产线和各类聚氨酯辅助机械及成套设备，同时承接各种特殊要求的聚氨酯设备及配套设备的设计和试制任务。公司所研发及生产的聚氨酯设备系列产品已被广泛使用于化工、矿山冶金、建筑建材、家具家电、制鞋制革、交通运输等领域和行业，并受到了广大用户的一致好评。

本企业系中国聚氨酯协会理事单位，已通过ISO9001:2015国际质量体系认证，并获多项国家专利和多项科技立项项目，还荣获浙江省科技型中小企业、温州市科技（创新）型企业、国家高新技术企业等认定。企业现拥有独立的研发团队、先进的机械加工设备、计算机辅助设计设备、专业测试仪器、产品检测中心和独立的技术支持与服务团队，对产品制造进行全面质量管理，确保产品出厂质量合格率100%；达到“制品正品率最高、设备故障率最低”，并承诺技术支持与服务客户满意度不低于98.5%。

公司始终坚持“国际化、科技化、专业化”的发展规划，近年来大力开展产品创新、科技创新和管理创新，在业界已取得了良好的声誉和口碑。同时，产品多元化、设备高端化、市场国际化、服务系统化的战略实施，已使得泽程企业成为了聚氨酯专业设备全面解决方案提供商。

竭诚欢迎广大用户来电、来函和光临指导！

Wenzhou Zecheng Electromechanical Equipment Co., Ltd. (formerly Wenzhou Julong Electromechanical Equipment Factory), a professional company characterized by technical innovation of polyurethane equipment, is mainly engaged in the production and trade of polyurethane equipment.

Being a standing member of Polyurethane Association in China, it has passed ISO9001:2015 international quality system certification, acquired a variety of national patents, and won a number of technological projects. Our company is one of high and new technology enterprise authorised by China. Currently the Company has its own R&D team, advanced mechanical CNC processing equipment, computer-aided design division, special-ized testing instruments, product inspection center, and independent technological support and service team to provide total quality management over production and ensure 100% quality compliances. It is committed to the goal of "achieving highest quality qualification rate and lowest failure rate" and it undertakes to guarantee a 98.5% satisfaction rate for the technical support and services it provides.

Ever since its establishment, the Company has been dedicated to the research, development, and production of various polyurethane foaming machines, polyurethane elastomer casting machine, fully automatic polyurethane sealing strip casting machine, polyurethane sole and upper-joint molding machine, mould production line, and other polyurethane devices and other complete sets of equipment. In addition, it is also able to provide polyurethane equipment and supporting equipment design and trial-production services according to customer's special requirements. The polyurethane equipment it developed and produced has been widely used in chemical engineering, mining and metallurgical industry, construction and building materials, furniture, household electrical appliances, shoe-and-leather making, and traffic industry and have won recognition from all customers.

The Company, having always insisted in the development strategy of "becoming international, technology-based, and specialized" has attached great importance to product, technology, and management innovation. It has upgraded its products from medium-to low-end level to medium-to high-end level and expanded its market internationally; its value chain has expanded from providence of line items into providence of systematic solutions; its business has achieved modern operation by integrating the upstream and downstream value chain resources; all of which have helped us to develop into a leading polyurethane equipment solution provider and resulted in the transformation from "Made by Zecheng" into "Created by Zecheng". Our mission statement is: Quality is the soul of an enterprise, credit is the guarantee for development!

For the purpose of mutual development, we warmly welcome all users to contact us by phone or email or pay us a visit!



TECHNOLOGY RESEARCH & DEVELOPMENT

技术研发

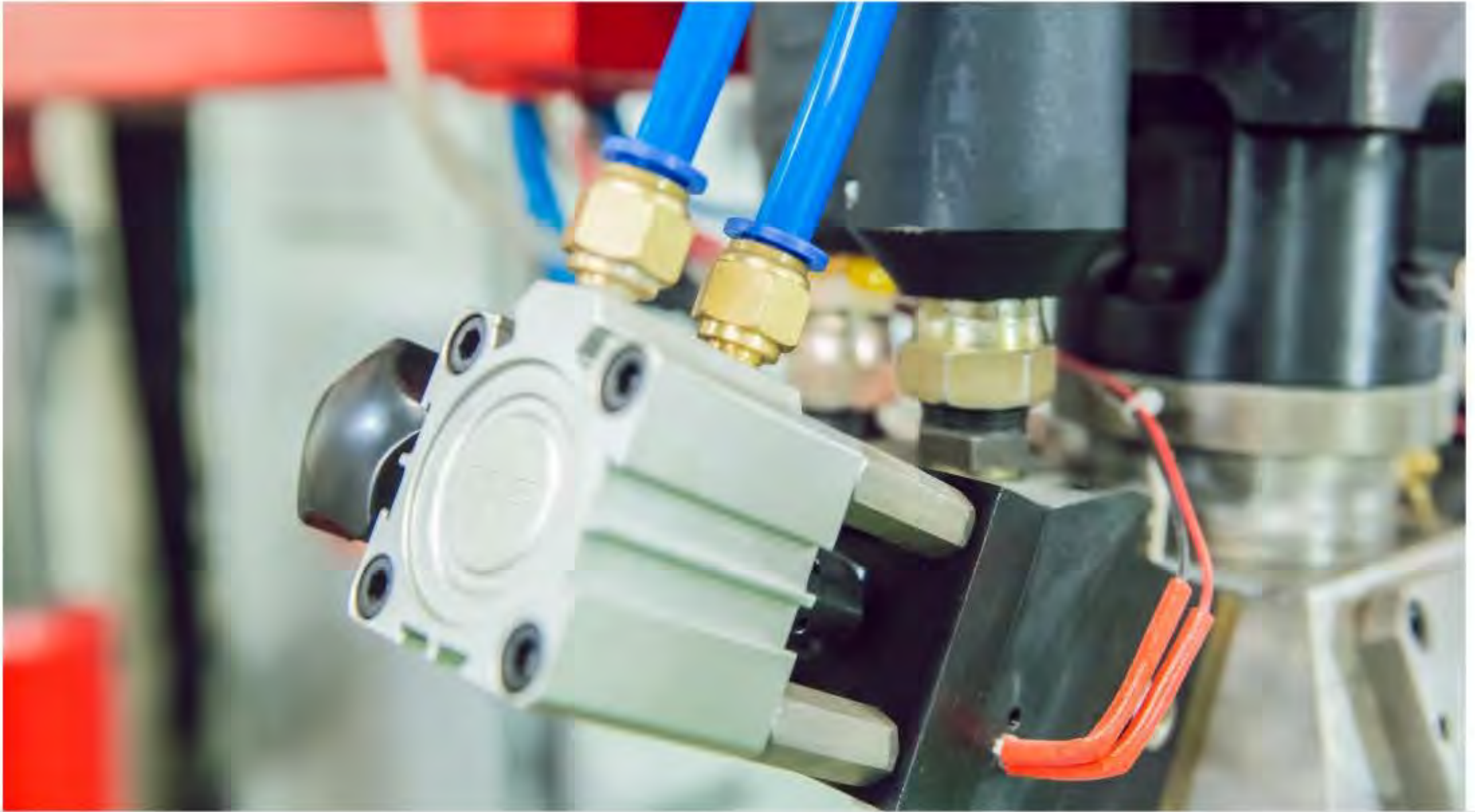
科技是第一生产力；客户的需求是技术研发工作的灵魂，泽程依靠对新科技技术的研究和突破；客户需求的细致分析和准确把握，开发了大量的引领行业最新的产品，为中国乃至全球的行业发展作出了应有的贡献。

Science and technology are primary productive forces; customer demand is the soul of technical R & D work. On basis of the new technology research and breakthroughs together with the detailed analysis and accurate master of customer needs, Zecheng has developed a number of latest products leading the industry and made its due contribution to the industry development of China and even the world.



Zce PU
泽程聚氨酯





泽程拥有一批优秀技术人员

企业具有良好的人员机制和融洽的工作氛围，对技术人员十分重视，使企业集结了一批优秀的工程技术人员。在机械制造等不同领域做出了突出的成绩。

ZE CHENG HAS A NUMBER OF OUTSTANDING TECHNICAL STAFF

The enterprise has good personnel system and harmonious working atmosphere and attaches great importance to technical staff, which enables the enterprise to gather a number of outstanding engineering and technical personnel. It has made outstanding performance in machinery manufacturing and other various fields.

泽程拥有非常先进的技术开发和管理设备

企业在技术和管理上，不断加强和完善电脑系统，利用先进的设备和软件以及完善的网络共享资源，使技术人员的设计和开发形成互动，大大提高了效率。

ZE CHENG HAS ADVANCED TECHNOLOGY DEVELOPMENT AND MANAGEMENT EQUIPMENT

With regard to technology development and management, the enterprise constantly strengthens and improves the computer system and uses the advanced equipments, software and comprehensive network of shared resources, which makes the interaction between technical staff's design and development and greatly improves efficiency.



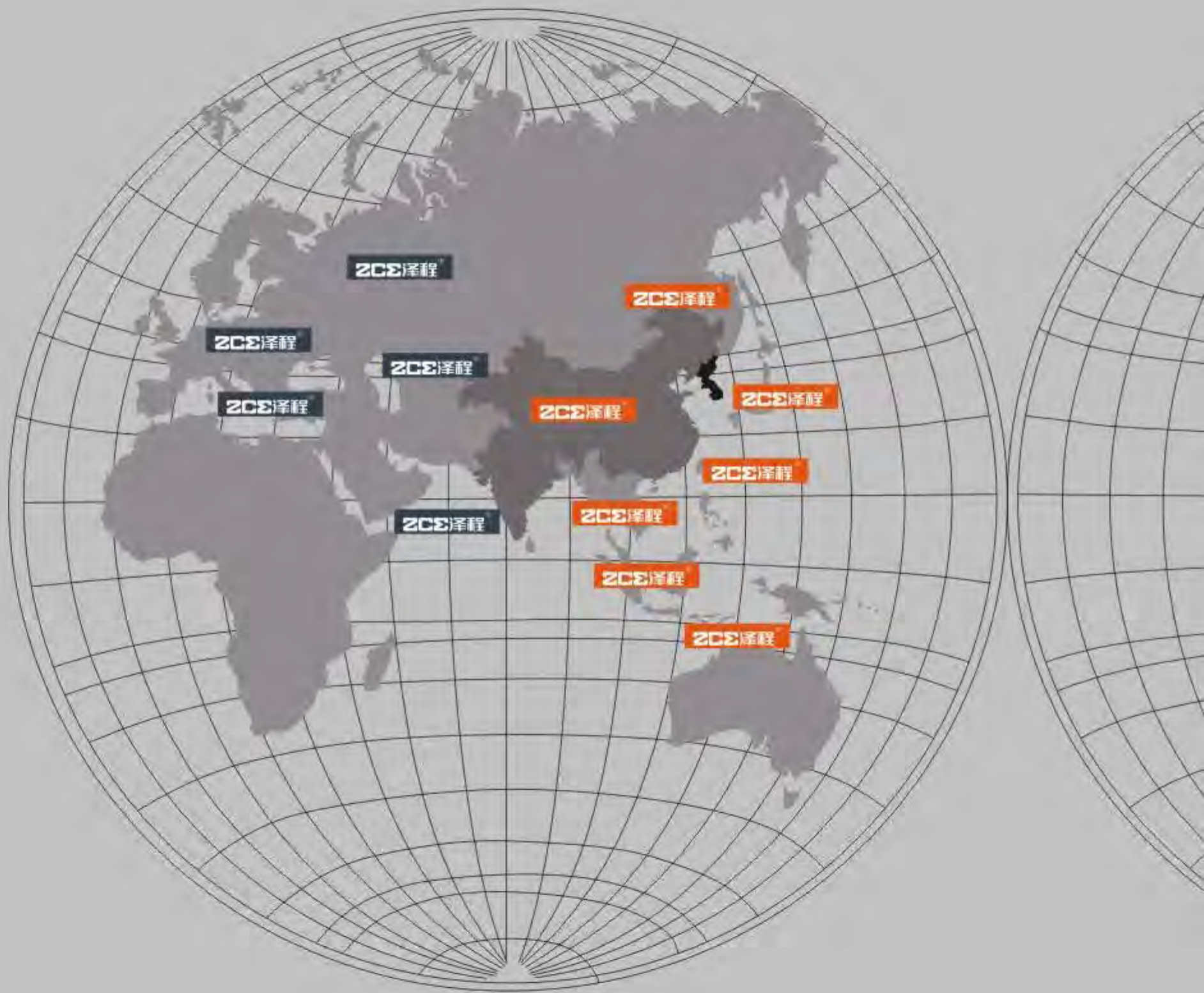


NETWORK SALES

网络销售

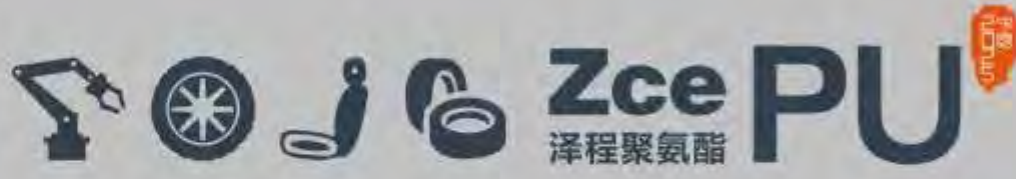
中国覆盖地区：上海、江苏、无锡、浙江、杭州、辽宁、黑龙江、甘肃、吉林、贵州、山西、太原、义乌、宁波、晋江、福建、清湖、莆田、福州、广东、湖北、武汉、四川、湖南、长沙、安徽、江西、河南、郑州、河北、北京、青岛、东北、省市建营销机构，实行24小时跟踪服务。

Covering Area in China: Shanghai, Jiangsu, Wuxi, Zhejiang, Hangzhou, Liaoning, Heilongjiang, Gansu, Jilin, Guizhou, Shanxi, Taiyuan, Yiwu, Ningbo, Jinjiang, Fujian, Qinghu, Putian, Fuzhou, Guangdong, Hubei, Wuhan, Sichuan, Hunan, Changsha, Anhui, Jiangxi, Henan, Zhengzhou, Hebei, Beijing, Qingdao, Dongbei, all these provinces and cities have marketing agencies and 24-hour tracking service is available.



泽程公司坚持走科技创新发展道路，先后与意大利、德国、日本、韩国、俄罗斯、越南、台湾等国家和地区同行结成紧密技术和贸易合作关系，产品畅销20多个国家和地区。

Zecheng company adheres to the road of technology innovation and development; it has successively established a close technology and trade cooperation relations with peers in Italy, Germany, Japan, South Korea, Russia, Vietnam, Taiwan and other countries and regions; its products sell well in more than 20 countries and regions.





INTERNATIONAL TRADE DEPARTMENT

国际贸易部

20年的匠心耕耘，铸就了泽程的品质。定位高起点，服务深层次，突出品牌，演绎经典，汇聚精品，彰显品味。泽程人秉持服务于聚氨酯产业、服务全球各地区市场的宗旨，努力为全球客户奉献品质优良、效果满意的专业聚氨酯设备整体解决方案。

After 20 years of ingenuity, the quality of Zecheng was created. Positioning high starting point, deep service, highlighting the brand, deducing the classics, gathering the fine products, highlighting the taste. Zecheng people adhere to the principle of serving the polyurethane industry and serving the markets in all regions of the world, and strive to provide high-quality and satisfactory solutions for professional polyurethane equipment for customers around the world.





新时代下，机遇与挑战并存，全球一体化已悄然形成，世界融合已经成为必然。泽程人正以“共赢、共融”的博大胸怀，广纳世界宾客；并以卓越的产品性能、精湛的生产工艺赢得了业界的称赞。我们热忱欢迎海外宾客及各界人士，砥砺前行，共图发展。

In the new era, opportunities and challenges coexist, global integration has quietly formed, and world integration has become inevitable. Zecheng people are embracing the world's guests with the broad-mindedness of "win-win and communion"; and have won praises from the industry for their excellent product performance and exquisite production technology. We warmly welcome overseas guests and people from all walks of life to move forward and develop together.





PRE-SALES & AFTER-SALES SERVICE

售前售后服务

聚氨酯设备整体解决方案服务专家

POLYURETHANE EQUIPMENT AND INTEGRATED SOLUTIONS SERVICE SPECIALIST

经验丰富的售前服务团队，在客户的项目规划、场地布局设计、预算控制、人员配置上进行专业的指导。强大的技术研发团队、提供从原料推荐、配方指导、模具设计及采购、人员培训到工艺支持的全方位服务。

Experienced pre-sales service team in customer projects Planning, site layout design, budget control, staffing and motivated Line professional guidance. Strong technical R & D team, providing from raw materials Recommendation, recipe guidance, mold design and procurement, personnel training to the process Support for full-service.

Zce PU
泽程聚氨酯





服务之于产品，如呵护之于锦缎。泽程人坚信，用心周到的服务与产品技术的不断创新同等重要。产品的领先，必配合服务的领先，才是真正的泽程的领先。公司将客户呼叫系统引入服务管理，为各类顾客建立详实的客户档案，并实施会员管理，以便加规范化、专业化的操作模式服务于客户。购买、安装、维修、商品咨询、投诉受理、您只需一个电话。

The relationship between service and product is just like that between care and brocade. Zecheng staff firmly believes that the considerate service is as important as the constant innovation of product technology. Zecheng considers it truly leading when the leading product is matched with the leading service. The company introduces the customer calling center system into the service management, establishes detailed customer profiles for all kinds of customers, and implements membership management in order to serve customers with more standardized and professional operation mode. You just need to make a phone call for purchase, installation, maintenance, commodity consultation and complaint acceptance.





01 ECM 弹性体浇注机系列 PU CASTING MACHINE SERIES

MDI体系弹性体浇注机 (电热式) MDI SYSTEM ELASTOMER CASTING MACHINE (ELECTRIC TYPE)	01-02
环保节能型高温弹性体浇注机 (电热式) ENVIRONMENTAL PROTECTION & ENERGY SAVING SERIES HIGH TEMPERATURE ELASTOMER CASTING MACHINE (ELECTRIC TYPE)	03-04
多组份高温弹性体浇注机 (电热式) MULTI-COMPONENT HIGH TEMPERATURE ELASTOMER POURING MACHINE (ELECTRIC TYPE)	05-06
TDI弹性体浇注机 (电热式) TDI SYSTEM ELASTOMER CASTING MACHINE (ELECTRIC TYPE)	07-08
可加色聚氨酯弹性体浇注机 (电热式) ADDITIVE POLYURETHANE ELASTOMER CASTING MACHINE (ELECTRIC TYPE)	09-10
聚氨酯中温弹性体浇注机 POLYURETHANE MIDDLE TEMPERATURE ELASTOMER CASTING MACHINE	11-12
路桥/桥梁(高铁)伸缩缝浇注机 ROAD AND BRIDGE / BRIDGE (HIGH - SPEED RAIL) EXPANSION JOINTS CASTING MACHINE	13-14
聚氨酯弹性体增压注胶机 POLYURETHANE ELASTOMER PRESSURIZED PLASTIC INJECTION MACHINE	13-14
聚氨酯无模旋转浇注机 POLYURETHANE ROTATIONAL CASTING MACHINE WITHOUT MOULD	15-16
高温弹性体浇注机 (油热式) HIGH TEMPERATURE ELASTOMER CASTING MACHINE (OIL HEAT TYPE)	17-18
可加色高温弹性体浇注机 (油热式) CAN ADD COLOR HIGH TEMPERATURE ELASTOMER POURING MACHINE (OIL HEAT TYPE)	17-18
三组份弹性体浇注机 (油热式) THREE-COMPONENT ELASTOMER CASTING MACHINE (OIL HEAT TYPE)	19-20
聚氨酯弹性体工业轮浇注机 INDUSTRIAL POLYURETHANE ELASTOMER WHEEL CASTING MACHINE	21-22
NDI体系弹性体浇注机 NDI SYSTEM ELASTOMER CASTING MACHINE	23-24
全自动微孔弹性体浇注机 (NDI) FULL-AUTOMATIC MICROPOROUS ELASTOMER CASTING MACHINE (NDI)	25-26
TPU全自动数控热塑性弹性体浇注机 TPU AUTOMATIC CNC THERMOPLASTIC ELASTOMER CASTING MACHINE	27-28
科研配方实验机 RESEARCH FORMULA TEST MACHINE	29-30



弹性体预聚体反应釜/聚氨酯弹性体离心成型机 ELASTOMERIC & PREPOLYMER REACTOR/POLYURETHANE ELASTOMER CENTRIFUGAL MOLDING MACHINE	31-32
热风循环式烘箱/聚氨酯平板硫化机 HEATED AIR CIRCULATION TYPE OVEN/POLYURETHANE VULCANIZING MACHINE	33-34
聚氨酯弹性体片切割机/手工操作台 POLYURETHANE ELASTOMER SHEET CUTTING MACHINE/MANUAL CONSOLE	35-36

02 FM 发泡机系列 PU FOAM MACHINE SERIES

聚氨酯高压发泡机 POLYURETHANE ROTATIONAL CASTING MACHINE WITHOUT MOULD	37-38
全自动数控高压发泡机/高压发泡实验机 POLYURETHANE HIGH PRESSURE FOAMING MACHINE/HIGH PRESSURE FOAM TESTING MACHINE	39-40
全自动二组份浇注式发泡机 AUTOMATIC POLYURETHANE CASTING TYPE FOAMING MACHINE	41-42
聚氨酯微孔发泡机 POLYURETHANE MICROCELLULAR FOAMING MACHINE	43-44
全自动数控密封条浇注机 AUTOMATIC CNC SEALING STRIP CASTING MACHINE	45-46
全自动滤清器密封垫浇注机 AUTOMATIC FILTER & SEALING GASKET CASTING MACHINE	47-48
圆形滤清器密封垫发泡机 ROUND FILTER & SEALING GASKET CASTING MACHINE	49-50
聚氨酯硬胶滤芯发泡机/聚氨酯硬胶发泡机 POLYURETHANE HARD RUBBER FILTER FOAMING MACHINE/POLYURETHANE HARD PLASTIC FOAM MACHINE	51-52
无溶剂PU革涂胶机 SOLVENT-FREE PU LEATHER COATING MACHINE	53-54

03 AE 辅助设备 AUXILIARY EQUIPMENT

环型生产线 / 全自动滤芯生产线 RING PRODUCTION LINE / AUTOMATIC FILTER PRODUCTION LINE	55-56
圆盘式生产线 / 模架 / 制冷机 / 化料器/轮胎离心机 DISC PRODUCTION LINE / MOLD / REFRIGERATOR / MATERIALIZER/TIRE CENTRIFUGE	55-56

01 ECM



Zce PU
泽程聚氨酯



弹性体浇注机系列

PU CASTING
MACHINE SERIES



TDI系列
TDI SERIES

MDI系列
MDI SERIES

NDI系列
NDI SERIES



CPU30J-MDI SERIES

MDI SYSTEM ELASTOMER CASTING
MACHINE (ELECTRIC TYPE)

MDI体系弹性体浇注机（电热式）



Application 用途

用于生产以MDI等为交联剂的浇注型聚氨酯弹性体制品，在本机内可合成预聚体及真空脱泡。生产中低硬度聚氨酯弹性体制品。

Applicable to the manufacture of casting polyurethane elastomer products whose cross-linking agent is MDI etc. Polyurethane and vacuum degassing can be synthesized in the machine. It produces polyurethane elastomer products with middle and low hardness.

Working condition 使用条件

组分名称 Component name	混合比 Mixing ratio	温度 Temperature (°C)	粘度 Viscosity (CPS)
A (预聚体)	100	常温~110	100~3000
B (MDI半预聚体)	60~150	常温~110	100~3000
C (14丁二醇或BDO)	4~15	常温~130	100~3000
催化剂	0.3~3	常温 Room temperature	50~2000
色浆 Color paste	0.5~3	常温 Room temperature	50~2000

Main parameters 主要参数

项目/型号ITEM / MODEL	CPU30J-M1	CPU30J-M2	CPU30J-M3	CPU30J-M4	CPU30J-M5
总吐出量 (g/min) Total discharge amount (g/min)	250-2500	1000-5000	3000-10000	5000-15000	10000-30000
A组料罐容量 (L) Tank capacity of group (L)	160	160	250	250	400
B组料罐容量 (L) Tank capacity of group (L)	160	160	250	250	400
C组料罐容量 (L) Tank capacity of group (L)	30	30	80	80	80
浇注头搅拌转速 (r/min) Pouring head stirring speed (r/min)	3000-5000	3000-5000	4000-5000	4000-5000	3000-5000
离地面高度 (mm) Height from the ground (mm)	1100-1400	1100-1400	1100-1400	1100-1400	1100-1400
总功率 (kw) Total power (KW)	30	30	35	35	40
重量 (kg)	1800	2000	2500	2800	3200



ZECHENG Machines characteristics (特性)

GENERAL LAYOUT 基本框架

- Modular design 模块设计
- 2 to 8 components 可选2-8组份
- Stainless steel tanks 不锈钢罐
tank capacities 罐容量: 30L-600L
- Metering system 计量系统
- Mixing system 混合系统
- Vacuum capable tanks 真空缓冲罐
- Cleaning system 清洗系统
- Pipes 输送系统

Layout options 布局选项

- Fixed speed Stirrer 定速搅拌器
- Variable speed Stirrer 变速搅拌器
- Level sensor for tank 罐液位计
- Feeding valve 自动加料阀
- Mass flow meter 流量计

CONTROL SYSTEM 控制系统

- Siemens PLC 西门子PLC
- Touch screen 触摸屏
- Adjustment and display 调节和显示
pump speeds 泵速度
temperatures 温度
preheating timer for each component 预热定时
pour time 浇注时间

- Up to 99 formulations 达99种配方
- Auto-adjust mix ratio 自动调整混合比
- Production and alarm history data storage 生产和警报历史数据存储

Parameter display 参数显示

- Maintenance operations 维护操作
- Pressure 压力
- Temperature 温度

PROCESS FLEXIBILITY 流程灵活性

- output up to 50kg/min 流量: 0.2— 50 kg/min
- Material temperature 原料温度
heating up to 130° C 加热至130° C

Flexibility options 灵活性选项

- Pigment 色浆
- Catalyst 催化剂
- Auto degasser 自动脱泡装置
- MOCA melter 胺类化料器
- Feeding device 胺类进料装置
- Add specific formulations and programe 添加特殊配方和程序调整
- Remote assistance maintenance 远程协助维护
- Special production line 专用生产线
- Rotational Casting option 旋转浇注选项

CPU30J-GD SERIES

ENVIRONMENTAL PROTECTION & ENERGY SAVING SERIES HIGH TEMPERATURE ELASTOMER CASTING MACHINE (ELECTRIC TYPE)

环保节能型高温弹性体浇注机（电热式）



Application 用途

用于生产以MDI等为交联剂的浇注型聚氨酯弹性体制品，在本机内可合成预聚体及真空脱泡。生产中低硬度聚氨酯弹性体制品。

Applicable to the manufacture of casting polyurethane elastomer products whose cross-linking agent is MDI etc. Polyurethane and vacuum degassing can be synthesized in the machine. It produces polyurethane elastomer products with middle and low hardness.

Working condition 使用条件

组分名称 Component name	混合比 Mixing ratio	温度 Temperature (°C)	粘度 Viscosity (CPS)
A (预聚体)	100	常温~110	100~3000
B (MDI半预聚体)	60~150	常温~110	100~3000
C (14丁二醇或BDO)	4~15	常温~130	100~3000
催化剂	0.3~3	常温 Room temperature	50~2000
色浆 Color paste	0.5~3	常温 Room temperature	50~2000

Features 特点

- 各组分控温器分段独立PLC控制系统，配有专用的电加热系统、烘箱、管路、阀门均可单独调节，利用多点温度控制装置，以确保原料在整个循环过程中保持恒温，温度误差 $\leq \pm 2^{\circ}\text{C}$ 。
- 混合装置设有静态压力平衡装置（专利技术），本技术消除流量误差，提高计量精度，稳定性更好。混合头采用变截面直齿锥形混合头，保证制品宏观无气泡。
- 可带加色浆控制系统，色浆直接进入混合装置，随时切换不同的颜色，混合均匀，计量精确。
- 采用进口PLC控制器、监视整个设备控制系统、异常时会自动判别、诊断及报警、异常因素显示，PLC模块控制、浇注、自动清洗及气冲，性能稳定，可操作性强。

- Independent PLC control system in the branch temperature controller of each group, with special electric heating system, oven, piping and valves which can be adjusted separately; multi-point temperature control device is used to ensure that the raw material to maintain a constant temperature throughout the cycle process; temperature error $\leq \pm 2^{\circ}\text{C}$.
- The mixing device is equipped with static pressure balance device (patented technology), which removes flow error and improve measuring accuracy, meanwhile the stability is better; variable cross-section straight tooth conical mixing head is used to ensure no visible bubbles in products.
- Equipped with the color paste control system and the color paste directly goes into the mixing device; different colors can be switched at any time; the mixing is uniform and the metering is accurate.
- Adopt the imported PCL controller to monitor the entire device control system; it will automatically make judgment of abnormality, diagnosis and alarm, abnormal factors display, PLC module control, casting, automatic cleaning and air impact; stable performance and strong operability.



ZECHENG Machines characteristics (特性)

GENERAL LAYOUT 基本框架

- Modular design 模块设计
- 2 to 8 components 可选2-8组份
- Stainless steel tanks 不锈钢罐
tank capacities 罐容量: 30L-600L
- Metering system 计量系统
- Mixing system 混合系统
- Vacuum capable tanks 真空缓冲罐
- Cleaning system 清洗系统
- Pipes 输送系统

Layout options 布局选项

- Fixed speed Stirrer 定速搅拌器
- Variable speed Stirrer 变速搅拌器
- Level sensor for tank 罐液位计
- Feeding valve 自动加料阀
- Mass flow meter 流量计

CONTROL SYSTEM 控制系统

- Siemens PLC 西门子PLC
- Touch screen 触摸屏
- Adjustment and display 调节和显示
pump speeds 泵速度
temperatures 温度
preheating timer for each component 预热定时
pour time 浇注时间

- Up to 99 formulations 达99种配方
- Auto-adjust mix ratio 自动调整混合比
- Production and alarm history data storage 生产和警报历史数据存储

Parameter display 参数显示

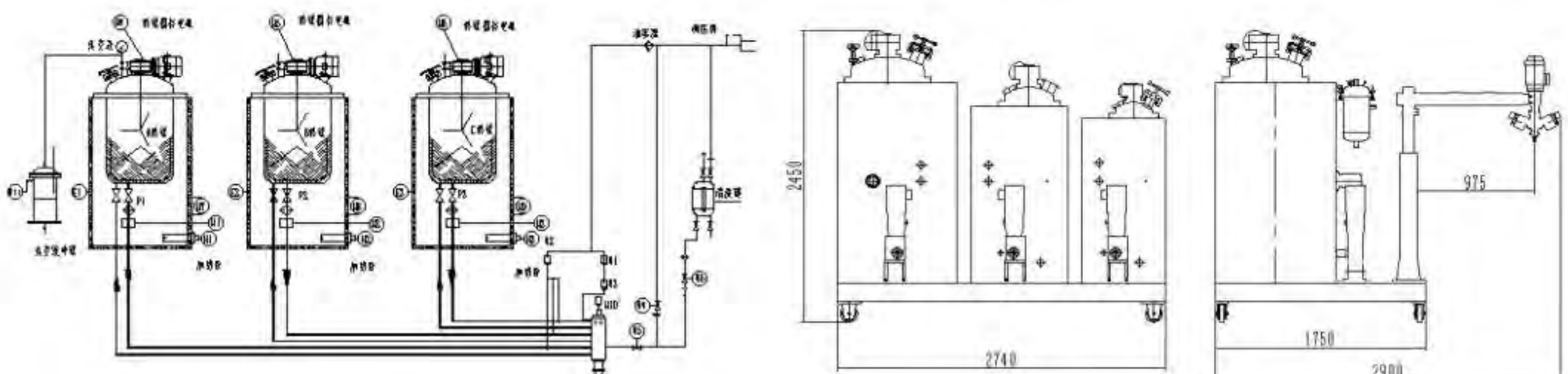
- Maintenance operations 维护操作
- Pressure 压力
- Temperature 温度

PROCESS FLEXIBILITY 流程灵活性

- output up to 50kg/min 流量: 0.2—50 kg/min
- Material temperature 原料温度
heating up to 130° C 加热至130° C

Flexibility options 灵活性选项

- Pigment 色浆
- Catalyst 催化剂
- Auto degasser 自动脱泡装置
- MOCA melter 胺类化料器
- Feeding device 胺类进料装置
- Add specific formulations and programe 添加特殊配方和程序调整
- Remote assistance maintenance 远程协助维护
- Special production line 专用生产线
- Rotational Casting option 旋转浇注选项



CPU30J-GD SERIES

MULTI-COMPONENT HIGH TEMPERATURE ELASTOMER
POURING MACHINE (ELECTRIC TYPE)

多组份高温弹性体浇注机（电热式）



Application 用途

用于生产以MOCA或BDO等为交联剂的浇注型聚氨酯弹性体制品，如冶金、印染、纺织、矿山、造纸业的各种胶辊，高载荷实芯轮、矿山用筛板，液压密封圈、光伏导轮等高耐磨材料。

Applicable to the manufacture of casting polyurethane elastomer products whose cross-linking agent is MOCA or BDO etc, such as all kinds of rubber roller, high load solid core wheel, mine sieve plate, hydraulic seal ring, photovoltaic guide pulley and other highly wear-resistant materials in metallurgy, printing and dyeing, textile, mining and paper industry.

Working condition 使用条件

组分名称 Component name	混合比 Mixing ratio	温度 Temperature (℃)	粘度 Viscosity (CPS)
A (预聚体)	100	常温-110	100-3000
B (MDI半预聚体)	60-150	常温-110	100-3000
C (14丁二醇或BDO)	4-15	常温-130	100-3000
催化剂	0.3-3	常温 Room temperature	50-2000
色浆 Color paste	0.5-3	常温 Room temperature	50-2000

Features 特点

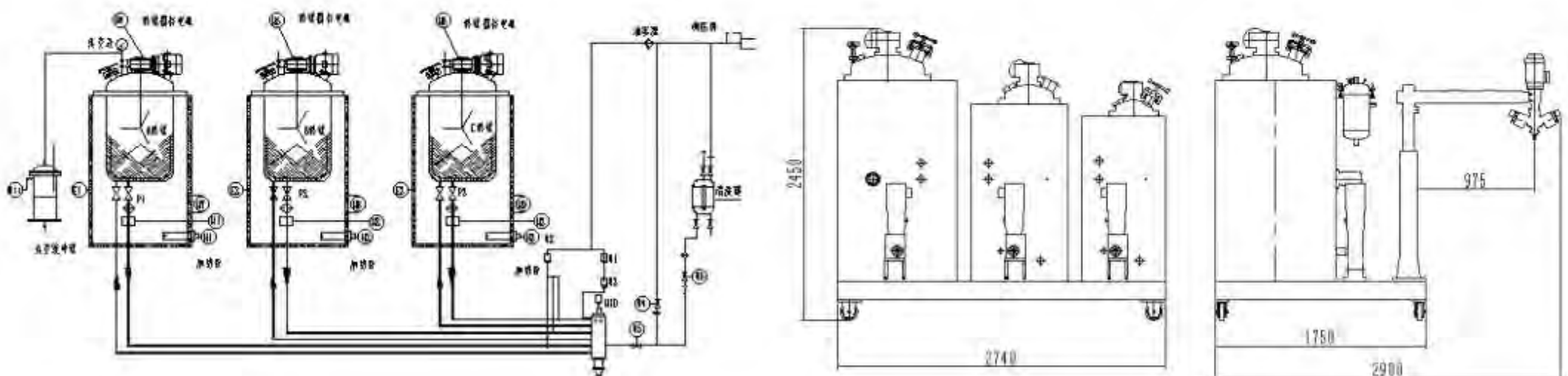
- 各组分控温器分段独立PLC控制系统，配有专用的电加热系统、烘箱、管路、阀门均可单独调节，利用多点温度控制装置，以确保原料在整个循环过程中保持恒温，温度误差 $\leq \pm 2^{\circ}\text{C}$ 。
- 混合装置设有静态压力平衡装置（专利技术），本技术消除流量误差，提高计量精度，稳定性更好。混合头采用变截面直齿锥形混合头，保证制品宏观无气泡。
- 可带加色浆控制系统，色浆直接进入混合装置，随时切换不同的颜色，混合均匀，计量精确。
- 采用进口PLC控制器、监视整个设备控制系统、异常时会自动判别、诊断及报警、异常因素显示，PLC模块控制、浇注、自动清洗及气冲，性能稳定，可操作性强。

- Independent PLC control system in the branch temperature controller of each group, with special electric heating system, oven, piping and valves which can be adjusted separately; multi-point temperature control device is used to ensure that the raw material to maintain a constant temperature throughout the cycle process; temperature error $\leq \pm 2^{\circ}\text{C}$.
- The mixing device is equipped with static pressure balance device (patented technology), which removes flow error and improve measuring accuracy, meanwhile the stability is better; variable cross-section straight tooth conical mixing head is used to ensure no visible bubbles in products.
- Equipped with the color paste control system and the color paste directly goes into the mixing device; different colors can be switched at any time; the mixing is uniform and the metering is accurate.
- Adopt the imported PCL controller to monitor the entire device control system; it will automatically make judgment of abnormality, diagnosis and alarm, abnormal factors display, PLC module control, casting, automatic cleaning and air impact; stable performance and strong operability.



Main parameters 主要参数

项目/型号ITEM / MODEL	CPU30J-1	CPU30J-2	CPU30J-3	CPU30J-4	CPU30J-5
总吐出量 (g/min) Total discharge amount (g / min)	250-2500	1000-5000	3000-10000	5000-15000	10000-30000
A组料罐容量 (L) Tank capacity of group (L)	160	160	250	250	400
B组料罐容量 (L) Tank capacity of group (L)	160	160	250	250	400
C组料罐容量 (L) Tank capacity of group (L)	30	30	80	80	80
浇注头搅拌转速 (r/min) Pouring head stirring speed (r / min)	3000-5000	3000-5000	4000-5000	4000-5000	3000-5000
离地面高度 (mm) Height from the ground (mm)	1100-1400	1100-1400	1100-1400	1100-1400	1100-1400
总功率 (kw) Total power (KW)	30	30	35	35	40
重量 (kg)	1800	2000	2500	2800	3200



CPU20J-GD SERIES

TDI SYSTEM ELASTOMER CASTING
MACHINE(ELECTRIC TYPE)

TDI弹性体浇注机（电热式）



Application 用途

用于生产以MOCA或BDO等为交联剂的浇注型聚氨酯弹性体制品，如冶金、印染、纺织、矿山、造纸业的各种胶辊，高载荷实芯轮、矿山用筛板，液压密封圈、光伏导轮等高耐磨材料。

Applicable to the manufacture of casting polyurethane elastomer products whose cross-linking agent is MOCA or BDO etc, such as all kinds of rubber roller, high load solid core wheel, mine sieve plate, hydraulic seal ring, photovoltaic guide pulley and other highly wear-resistant materials in metallurgy, printing and dyeing, textile, mining and paper industry.

Working condition 使用条件

组分名称 Component name	混合比 Mixing ratio	温度 Temperature (℃)	粘度 Viscosity (CPS)
A (TDI预聚体)(TDI prepolymer)	100	60 ~ 100℃	< 2000
B (MOCA等)	6 ~ 20	80 ~ 125℃	< 100
色浆 Color paste	0.5 ~ 3	常温 Room temperature	50 ~ 2000

Features 特点

- 各组分控温器分段独立PLC控制系统，配有专用的电加热系统、烘箱、管路、阀门均可单独调节，利用多点温度控制装置，以确保原料在整个循环过程中保持恒温，温度误差 $\leq \pm 2^{\circ}\text{C}$ 。
- 混合装置设有静态压力平衡装置（专利技术），本技术消除流量误差，提高计量精度，稳定性更好。混合头采用变截面直齿锥形混合头，保证制品宏观无气泡。
- 可带加色浆控制系统，色浆直接进入混合装置，随时切换不同的颜色，混合均匀，计量精确。
- 采用进口PLC控制器、监视整个设备控制系统、异常时会自动判别、诊断及报警、异常因素显示，PLC模块控制、浇注、自动清洗及气冲，性能稳定，可操作性强。

- Independent PLC control system in the branch temperature controller of each group, with special electric heating system, oven, piping and valves which can be adjusted separately; multi-point temperature control device is used to ensure that the raw material to maintain a constant temperature throughout the cycle process; temperature error $\leq \pm 2^{\circ}\text{C}$.
- The mixing device is equipped with static pressure balance device (patented technology), which removes flow error and improve measuring accuracy, meanwhile the stability is better; variable cross-section straight tooth conical mixing head is used to ensure no visible bubbles in products.
- Equipped with the color paste control system and the color paste directly goes into the mixing device; different colors can be switched at any time; the mixing is uniform and the metering is accurate.
- Adopt the imported PCL controller to monitor the entire device control system; it will automatically make judgment of abnormality, diagnosis and alarm, abnormal factors display, PLC module control, casting, automatic cleaning and air impact; stable performance and strong operability.



ZECHENG Machines characteristics (特性)

GENERAL LAYOUT 基本框架

- Modular design 模块设计
- 2 to 8 components 可选2-8组份
- Stainless steel tanks 不锈钢罐
tank capacities 罐容量: 30L-600L
- Metering system 计量系统
- Mixing system 混合系统
- Vacuum capable tanks 真空缓冲罐
- Cleaning system 清洗系统
- Pipes 输送系统

Layout options 布局选项

- Fixed speed Stirrer 定速搅拌器
- Variable speed Stirrer 变速搅拌器
- Level sensor for tank 罐液位计
- Feeding valve 自动加料阀
- Mass flow meter 流量计

CONTROL SYSTEM 控制系统

- Siemens PLC 西门子PLC
- Touch screen 触摸屏
- Adjustment and display 调节和显示
pump speeds 泵速度
temperatures 温度
preheating timer for each component 预热定时
pour time 浇注时间

- Up to 99 formulations 达99种配方
- Auto-adjust mix ratio 自动调整混合比
- Production and alarm history data storage 生产和警报历史数据存储

Parameter display 参数显示

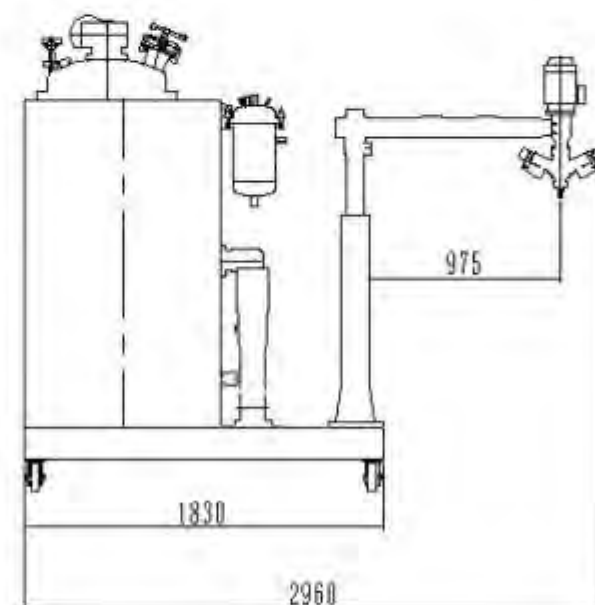
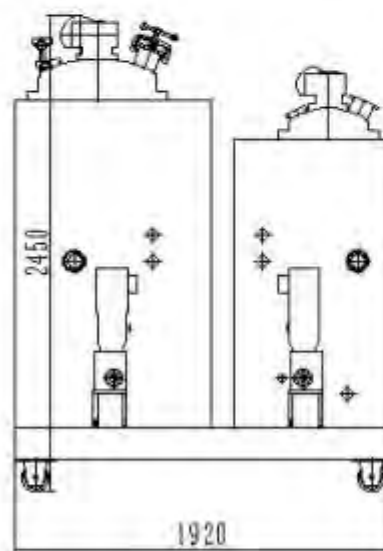
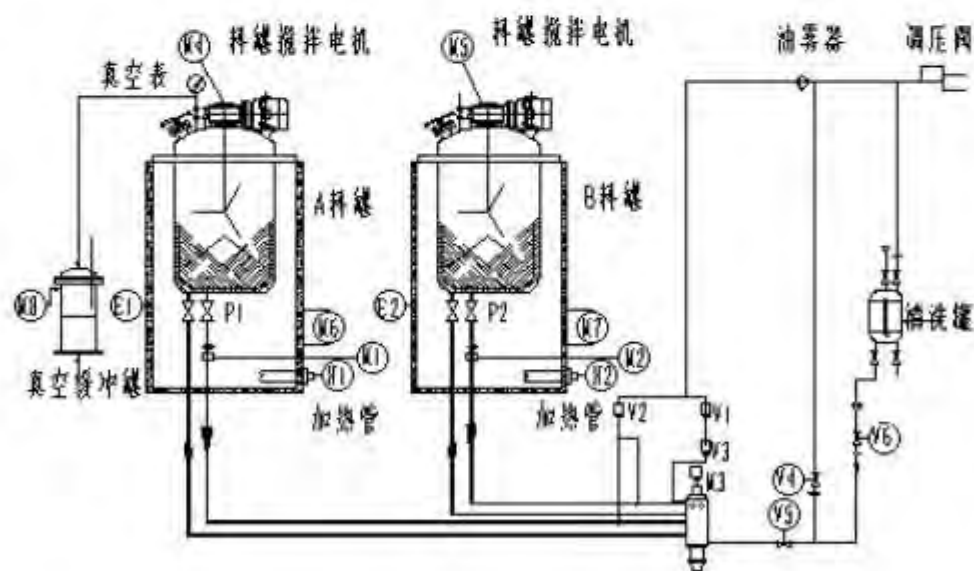
- Maintenance operations 维护操作
- Pressure 压力
- Temperature 温度

PROCESS FLEXIBILITY 流程灵活性

- output up to 50kg/min 流量: 0.2—50 kg/min
- Material temperature 原料温度
heating up to 130° C 加热至130° C

Flexibility options 灵活性选项

- Pigment 色浆
- Catalyst 催化剂
- Auto degasser 自动脱泡装置
- MOCA melter 胺类化料器
- Feeding device 胺类进料装置
- Add specific formulations and programe 添加特殊配方和程序调整
- Remote assistance maintenance 远程协助维护
- Special production line 专用生产线
- Rotational Casting option 旋转浇注选项



CPU20J-GD SERIES

ADDITIVE POLYURETHANE ELASTOMER CASTING
MACHINE (ELECTRIC TYPE)

可加色聚氨酯弹性体浇注机（电热式）



Application 用途

用于生产以MOCA或BDO等为交联剂的浇注型聚氨酯弹性体制品，如冶金、印染、纺织、矿山、造纸业的各种胶辊，高载荷实心轮、矿山用筛板，液压密封圈、光伏导轮等高耐磨材料。

Applicable to the manufacture of casting polyurethane elastomer products whose cross-linking agent is MOCA or BDO etc, such as all kinds of rubber roller, high load solid core wheel, mine sieve plate, hydraulic seal ring, photovoltaic guide pulley and other highly wear-resistant materials in metallurgy, printing and dyeing, textile, mining and paper industry.

Working condition 使用条件

组分名称 Component name	混合比 Mixing ratio	温度 Temperature (°C)	粘度 Viscosity (CPS)
A (TDI预聚体) (TDI prepolymer)	100	60~100°C	<2000
B (MOCA等)	6~20	80~125°C	<100
色浆 Color paste	0.5~3	常温 Room temperature	50~2000

Features 特点

- 各组分控温器分段独立PLC控制系统，配有专用的电加热系统、烘箱、管路、阀门均可单独调节，利用多点温度控制装置，以确保原料在整个循环过程中保持恒温，温度误差 $\leq \pm 2^{\circ}\text{C}$ 。
- 混合装置设有静态压力平衡装置（专利技术），本技术消除流量误差，提高计量精度，稳定性更好。混合头采用变截面直齿锥形混合头，保证制品宏观无气泡。
- 可带加色浆控制系统，色浆直接进入混合装置，随时切换不同的颜色，混合均匀，计量精确。
- 采用进口PLC控制器、监视整个设备控制系统、异常时会自动判别、诊断及报警、异常因素显示，PLC模块控制、浇注、自动清洗及气冲，性能稳定，可操作性强。

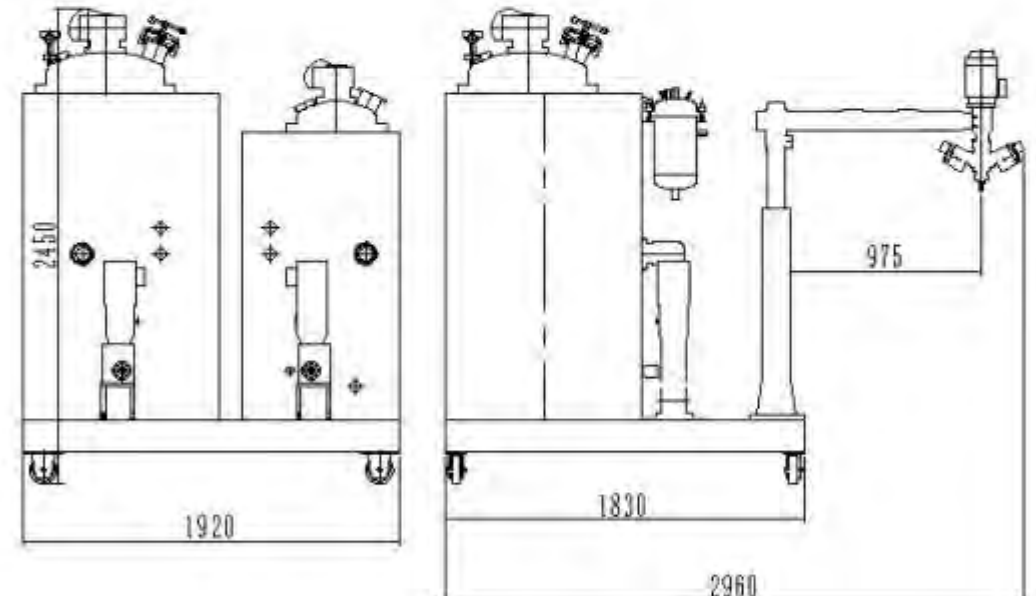
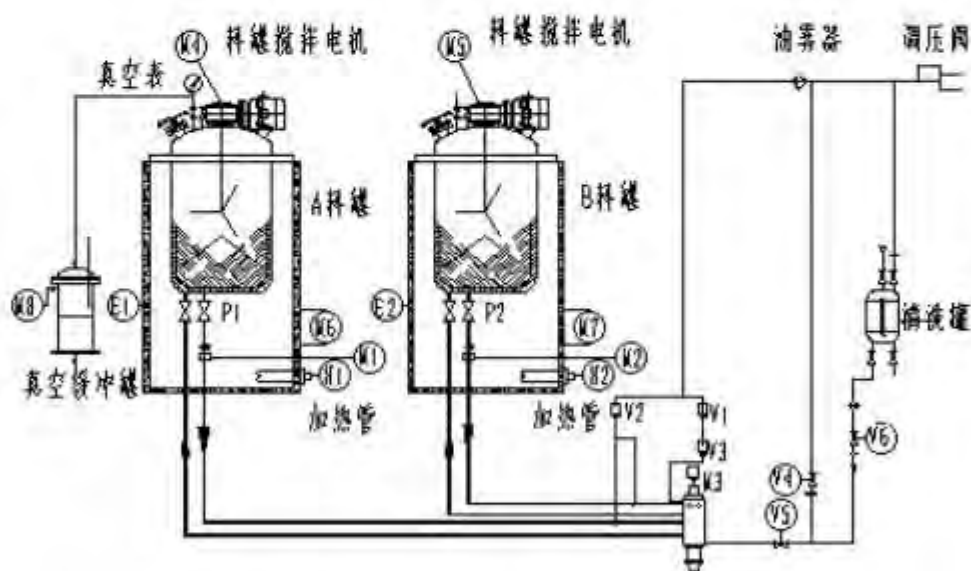


- Independent PLC control system in the branch temperature controller of each group, with special electric heating system, oven, piping and valves which can be adjusted separately; multi-point temperature control device is used to ensure that the raw material to maintain a constant temperature throughout the cycle process; temperature error $\leq \pm 2^{\circ}\text{C}$.
- The mixing device is equipped with static pressure balance device (patented technology), which removes flow error and improve measuring accuracy, meanwhile the stability is better; variable cross-section straight tooth conical mixing head is used to ensure no visible bubbles in products.
- Equipped with the color paste control system and the color paste directly goes into the mixing device; different colors can be switched at any time; the mixing is uniform and the metering is accurate.
- Adopt the imported PCL controller to monitor the entire device control system; it will automatically make judgment of abnormity, diagnosis and alarm, abnormal factors display, PLC module control, casting, automatic cleaning and air impact; stable performance and strong operability.



Main parameters 主要参数

项目/型号ITEM / MODEL	CPU20J-1	CPU20J-2	CPU20J-3	CPU20J-4	CPU20J-5	CPU20J-6	CPU20J-7
总吐出量 (g/min) Total discharge amount (g/min)	250-800	1000-3500	2000-5000	3000-8000	5000-15000	8000-20000	10000-30000
A组料罐容量 (L) Tank capacity of group (L)	160	160	250	250	400	400	400
B组料罐容量 (L) Tank capacity of group (L)	30	30	80	80	80	80	80
浇注头搅拌转速 (r/min) Pouring head stirring speed (r/min)	3000-5000	3000-5000	3000-5000	3000-5000	3000-5000	3000-5000	3000-5000
离地面高度 (mm) Height from the ground (mm)	1200	1200	1200	1300	1300	1300	1300
总功率 (kw) Total power (KW)	19	19	20	20	22	23	25



CPU20J-Z SERIES

POLYURETHANE MIDDLE TEMPERATURE
ELASTOMER CASTING MACHINE

聚氨酯中温弹性体浇注机



Application 用途

用于MDI型半预聚体法生产CPU制品，生产中低硬度的溜冰鞋轮、箱包轮、医疗器轮等聚氨酯弹性体制品，可在本机混合装置中直接加入色浆。

Applicable to CUP products manufacture using MDI-type semi-prepolymer method; it produces skate wheels, luggage wheels, medical equipment wheels and other polyurethane elastomer products; color paste can be added directly to the mixing device.

Features 特点

- 温控系统稳定可靠，采用导热油或电配合进行加热，多点温度控制装置，温度误差 $\leq \pm 2^{\circ}\text{C}$ 。
- 耐高温低转速高精度计量泵，配比精确，调节灵活，计量精度误差不超过 $\leq \pm 0.5\%$ 。
- 可带加色浆控制系统，色浆直接进入混合装置，随时切换不同的颜色，混合均匀，计量精确。
- 混合装置设有静态压力平衡装置（专利技术），本技术消除流量误差，提高计量精度，稳定性更好。采用变截面高剪切混合头，保证制品宏观无气泡。
- 采用进口PLC控制器、监视整个设备控制系统、异常时会自动判别、诊断及报警、异常因素显示，PLC模块控制、浇注、自动清洗及气冲，性能稳定，可操作性强。



- The temperature control system is stable and reliable; the heating uses conduction oil and electricity; multi-point temperature control device; temperature error $\leq \pm 2^{\circ}\text{C}$.
- High-temperature resistant low-speed high-precision metering pump; accurate matching, flexible adjustment and measurement accuracy error of less than $\leq \pm 0.5\%$.
- Equipped with the control system able to add color paste and the color paste directly goes into the mixing device; different colors can be switched at any time; the mixing is uniform and the metering is accurate.
- The mixing device is equipped with static pressure balance device (patented technology), which removes flow error and improve measuring accuracy, meanwhile the stability is better; variable cross-section high shear mixing head is used to ensure no visible bubbles in products.
- Adopt the imported PCL controller to monitor the entire device control system; it will automatically make judgment of abnormality, diagnosis and alarm, abnormal factors display, PLC module control, casting, automatic cleaning and air impact; stable performance and strong operability.



Working condition 使用条件

组分名称 Component name	混合比 Mixing ratio	温度 Temperature (°C)	粘度 Viscosity (CPS)
A (预聚体) 多元醇 (prepolymer) polyol	100	20 ~ 85°C	200 ~ 2000
B (固化剂) 改性MDI Modified MDI	25 ~ 110	20 ~ 85°C	200 ~ 2000
色浆 Color paste	0.5 ~ 3	常温 Room temperature	50 ~ 2000



Main parameters 主要参数

项目/型号 ITEM / MODEL	CPU20J-Z1	CPU20J-Z2	CPU20J-Z3	CPU20J-Z4	CPU20J-Z5
总吐出量 (g/s) Total discharge amount (g/s)	1-5	2.5-7	6-18	10-30	15-60
A组料罐容量 (L) Tank capacity of group (L)	80	80	120	120	120
B组料罐容量 (L) Tank capacity of group (L)	80	80	120	120	120
浇注头搅拌转速 (r/min) Pouring head stirring speed (r/min)	4000-5000	4000-5000	4000-5000	4000-5000	4000-5000
离地面高度 (mm) Height from the ground (mm)	1200	1200	1200	1300	1300
总功率 (kw) Total power (kw)	19	19	22	22	28

CPU20J-Z SERIES

ROAD AND BRIDGE / BRIDGE (HIGH - SPEED RAIL)
EXPANSION JOINTS CASTING MACHINE

路桥/桥梁(高铁)伸缩缝浇注机



Application 用途

用于MDI型预聚体法生产的CPU制品，如各类中低硬度聚氨酯弹性体产品，如高铁垫块、聚氨酯轮、筛板、刮片，电缆等产品，以及路桥/桥梁（高铁）伸缩缝产品等的浇注等。

For the production of MDI prepolymer process CPU products, such as various types of low-hardness polyurethane elastomer products, such as high-speed rail pads, polyurethane wheels, sieve, scraping, cables and other products, and road and bridge / bridge Beam (high-speed rail) expansion joints products such as casting.

Main parameters 主要参数

项目/型号ITEM / MODEL	CPU20J-Z1	CPU20J-Z2	CPU20J-Z3	CPU20J-Z4	CPU20J-Z5
总吐出量 (g/min) Total discharge amount (g / min)	1-5	2.5-7	6-18	10-30	15-60
A组料罐容量 (L) Tank capacity of group (L)	80	80	120	120	120
B组料罐容量 (L) Tank capacity of group (L)	80	80	120	120	120
浇注头搅拌转速 (r/min) Pouring head stirring speed (r / min)	4000-5000	4000-5000	4000-5000	4000-5000	4000-5000
离地面高度 (mm) Height from the ground (mm)	1200	1200	1200	1300	1300
总功率 (kw) Total power (KW)	19	19	22	22	28

POLYURETHANE ELASTOMER PRESSURIZED
PLASTIC INJECTION MACHINE

聚氨酯弹性体增压注胶机



Application 用途

主要用于生产硬质微孔聚氨酯制品，如大型工程轮胎填充物等。

mainly used in the production of rigid micro-porous polyurethane products, such as large-scale engineering tire fillers.

Main parameters 主要参数

项目/型号 (Item/model)	吐出量kg/min Total discharge amount(kg/min)	功率KW Total power(Kw)	混合比 mixing ratio	外形尺寸(L*W*H)mm Outline size (L*W*H) mm	重量kg Weight(Kg)
CPU20J-ZY1	10-30	11	1:1	1700*1300*2400	1300
CPU20J-ZY2	15-50	12	1:1	1700*1300*2400	1300
CPU20J-ZY3	30-80	15	1:1	1700*1300*2400	1500

CPU30J-XZ SERIES

POLYURETHANE ROTATIONAL CASTING
MACHINE WITHOUT MOULD

聚氨酯无模旋转浇注机



专利号：2011230421259.5

聚氨酯弹性体生产工艺的创新、适应性和安全性

- 实现了基于TDI、MDI弹性体的最高技术目标。
- 适用于以下能源应用领域：用于冶金、印染、纺织、矿山、造纸业的各种胶辊、高载荷实心轮，矿山用筛板，液压密封圈、光伏导轮等高耐磨材料。
- 为使产品长久可靠和维护简单，同时我们也在研究、设计整套设备包括转盘和机器人全自动生产线，和一些客户特定工程及工艺浇程。同时混合各种不同颜色辅助材料的催化剂，可以优化不同原料输出、硬度、颜色和制品质量的生产周期，并能保持最高的计量精度，防止出现废料。选择泽程创造意味着可以对聚合体的化学性进行最佳的控制。

Innovation, adaptability and security of polyurethane elastomer production process

- Achieve the highest technical objectives on basis of TDI, MDI elastomer.
- Apply to the following energy application fields: used for all kinds of rubber roller, high load solid core wheel, mine sieve plate, hydraulic seal ring, photovoltaic guide pulley and other highly wear-resistant materials in metallurgy, printing and dyeing, textile, mining and paper industry.
- To make the product reliable in long term and simple to maintain, we are also researching and designing a whole set of equipment, including turntable and automatic production lines, specific engineering and casting technology for some customers. Meanwhile the catalysts of a variety of colors and support materials are mixed to optimize different materials' output, hardness, color, quality of the products and production cycle, and also to maintain the highest measurement accuracy and prevent waste. Choosing the creation of Zecheng means that one can have the best control over the chemical performance of polymer.



Features 特点

- 不需要模具，即可生产多种规格型号和尺寸的胶辊，节省投资；
- 不需要脱模，降低了劳动强度，避免了辊芯被污染的可能，同时提高了生产效率；
- 可室温固化，并且固化周期短。既能降低能耗，又提高劳动效率；
- 可生产胶料性能不同的多层复合胶辊；产品合格率高
- 独立控制所有管道系统和混合系统的温度、德国高精度流量计监控浇注量，独立控制各组份管道内的循环压力。
- 原料罐采用电加热热风循环（专利技术），加热更快、高效、节能、安全、环保。（专利；201220219860.0）
- 设备具有自动检测压力、温度、流量、开环闭环等功能；异常时会自动判别，诊断及警报、异常因素文字显示。
- Rubber roller of a variety of specifications and sizes can be produced without molds, which saves investment;
- Demoulding is not required, which reduces labor intensity, avoids the possibility of contamination of the roll core and improves the efficiency of production;
- Can be solidified at room temperature, and the solidification cycle is short. It can reduce energy consumption, and improve labor efficiency;
- Multilayer complex rubber rollers of different rubber performance can be produced; the product percent of pass is quite high.
- Independently control the temperature of all piping systems and mixing systems; the German high-precision flow meter monitors the casting amount and independently controls circulation pressure inside the tubes of each component.
- The raw material tank adopts the hot air circulation of electric heating (patented technology), which makes heating faster, efficient, energy saving, safe and environmental friendly. (Patent: 201,220,219,860.0)
- The device has functions of automatic detection of pressure, temperature, flow, open and closed loop etc; it will automatically determine when there's abnormality, diagnose, give alarm and display abnormal factors in words.

Main parameters 主要参数

项目/型号 ITEM / MODEL	CPU30J---XZ
总吐出量 (g/min) Total discharge amount (g/min)	1000-5000
混合比A: B: C (Mixing Ratio: A:B:C)	100;12-65;6-23
浇注头行走速度 (mm/min) Traveling speed of Pouring head (mm/min)	20-300
胶辊旋转速度 (r/min) Rotary speed of rubber roller (r/min)	15-120
胶辊单层浇注厚度 (mm/次) Single layer pouring thickness of rubber roller (mm/time)	1-15
浇注胶辊直径范围 (mm) Diameter range of pouring rubber roller (mm)	φ 100-2000mm
浇注胶辊长度范围 (mm) Length range of pouring rubber roller mm	100--6000
胶辊表面旋转时线速度 (mm/s) Linear velocity of rubber roller surface rotation mm/s	10-60
总功率 (KW) Total power (kw)	28

CPU20J-G SERIES

HIGH TEMPERATURE ELASTOMER CASTING MACHINE(OIL HEAT)

高温弹性体浇注机（油热式）



专利号: ZL 2012 2 0746379.7



Application 用途

用于生产以MOCA或BDO等为交联剂的浇注型聚氨酯弹性体制品，如冶金、印染、纺织、矿山、造纸业的各种胶辊、矿山用筛板，液压密封圈、光伏导轮等高耐磨材料，在本机内可合成预聚体及真空脱泡。

Applicable to the manufacture of casting polyurethane elastomer products whose cross-linking agent is MOCA or BDO etc, such as all kinds of rubber roller, high load solid core wheel, mine sieve plate, hydraulic seal ring, photovoltaic guide pulley and other highly wear-resistant materials in metallurgy, printing and dyeing, textile, mining and paper industry. Polyurethane and vacuum degassing can be synthesized in the machine.



Working condition 使用条件

组分名称 Component name	混合比 Mixing ratio	温度 Temperature (°C)	粘度 Viscosity (CPS)
A (TDI预聚体)(TDI prepolymer)	100	60 - 100°C	<2000
B (MOCA等)	6 - 20	80 - 125°C	<100
色浆 Color paste	0.5 - 3	常温 Room temperature	50 - 2000

CAN ADD COLOR HIGH TEMPERATURE ELASTOMER POURING MACHINE (OIL HEAT TYPE)

可加色高温弹性体浇注机（油热式）



Features 特点

- 温控系统稳定可靠，采用导热油或电配合进行加热，多点温度控制装置，温度误差 $\leq \pm 2^{\circ}\text{C}$ 。
- 耐高温低转速高精度计量泵，配比精确，调节灵活，计量精度误差不超过 $\leq \pm 0.5\%$ 。
- 可带加色浆控制系统，色浆直接进入混合装置，随时切换不同的颜色，混合均匀，计量精确。
- 混合装置设有静态压力平衡装置（专利技术），本技术消除流量误差，提高计量精度，稳定性更好，保证制品宏观无气泡。
- 采用进口PLC控制器、监视整个设备控制系统、异常时会自动判别、诊断及报警、异常因素显示，PLC模块控制、浇注、自动清洗及气冲，性能稳定，可操作性强。

- The temperature control system is stable and reliable; the heating uses conduction oil and electricity; the temperature error $\leq \pm 2^{\circ}\text{C}$.
- High-temperature resistant low-speed high-precision metering pump; accurate matching, flexible adjustment and measurement accuracy error of less than $\leq \pm 0.5\%$.
- Equipped with the control system able to add color paste and the color paste directly goes into the mixing device; the mixing is uniform and the metering is accurate.
- The mixing device is reasonably designed; the mixing head is light and durable, which ensures no visible bubbles in products.
- Adopt the imported PCL controller to monitor the entire device control system; it will automatically make judgment of abnormality, diagnosis and alarm, abnormal factors display, PLC module control, casting, automatic cleaning and air impact; stable performance and strong operability.

Main parameters 主要参数

项目/型号 ITEM / MODEL	CPU20J-1	CPU20J-2	CPU20J-3	CPU20J-4	CPU20J-5	CPU20J-6	CPU20J-7
总吐出量 (g/min) Total discharge amount (g/min)	250-800	1000-3500	2000-5000	3000-8000	5000-15000	8000-20000	10000-30000
A组料罐容量 (L) Tank capacity of group (L)	160	160	250	250	400	500	500
B组料罐容量 (L) Tank capacity of group (L)	30	30	80	80	80	120	120
浇注头搅拌转速 (r/min) Pouring head stirring speed (r/min)	4000-5000	4000-5000	4000-5000	4000-5000	4000-5000	4000-5000	4000-5000
离地面高度 (mm) Height from the ground (mm)	1200	1200	1200	1300	1300	1300	1300
总功率 (kw) Total power (kw)	32	32	35	35	35	40	40
重量 (kg) Weight (kg)	1300	1300	1700	1800	2200	2800	2800

CPU30J-G SERIES

THREE-COMPONENT ELASTOMER CASTING
MACHINE(OIL HEAT TYPE)

三组份弹性体浇注机（油热式）



Application 用途

用于生产以MOCA或BDO等为交联剂的浇注型聚氨酯弹性体制品，如冶金、印染、纺织、矿山、造纸业的各种胶辊、高载荷实芯轮，矿山用筛板，液压密封圈、光伏导轮等高耐磨材料，在本机内可合成预聚氨体及真空脱泡。

Applicable to the manufacture of casting polyurethane elastomer products whose cross-linking agent is MOCA or BDO etc, such as all kinds of rubber roller, high load solid core wheel, mine sieve plate, hydraulic seal ring, photovoltaic guide pulley and other highly wear-resistant materials in metallurgy, printing and dyeing, textile, mining and paper industry. Polyurethane and vacuum degassing can be synthesized in the machine.

Working condition 使用条件

组分名称 Component name	混合比 Mixing ratio	温度 Temperature (℃)	粘度 Viscosity (CPS)
A (预聚体)	100	常温-110	100-3000
B (MDI半预聚体)	60-150	常温-110	100-3000
C (14丁二醇或BDO)	6-20	常温-130	100-3000
催化剂	0.3-3	常温 Room temperature	50-2000
色浆 Color paste	0.5-3	常温 Room temperature	50-2000

Features 特点

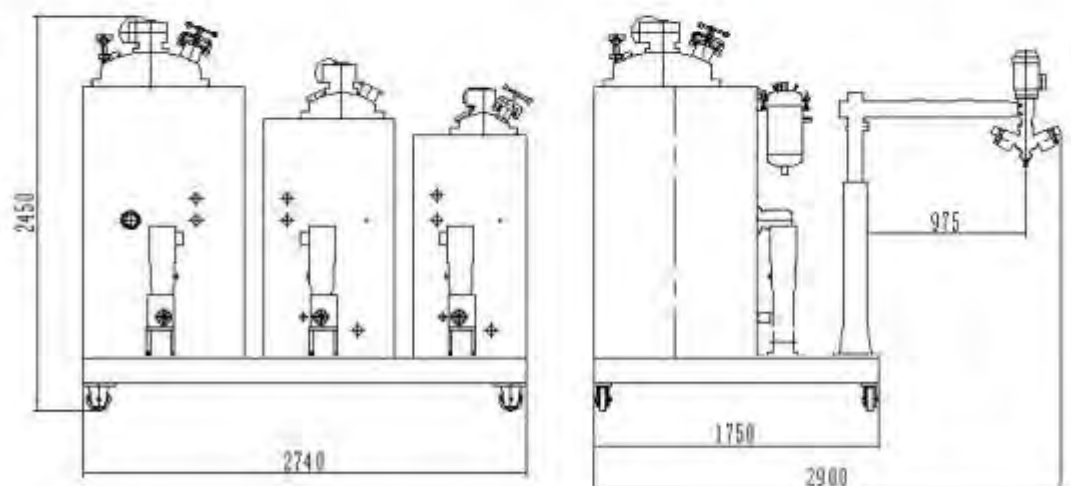
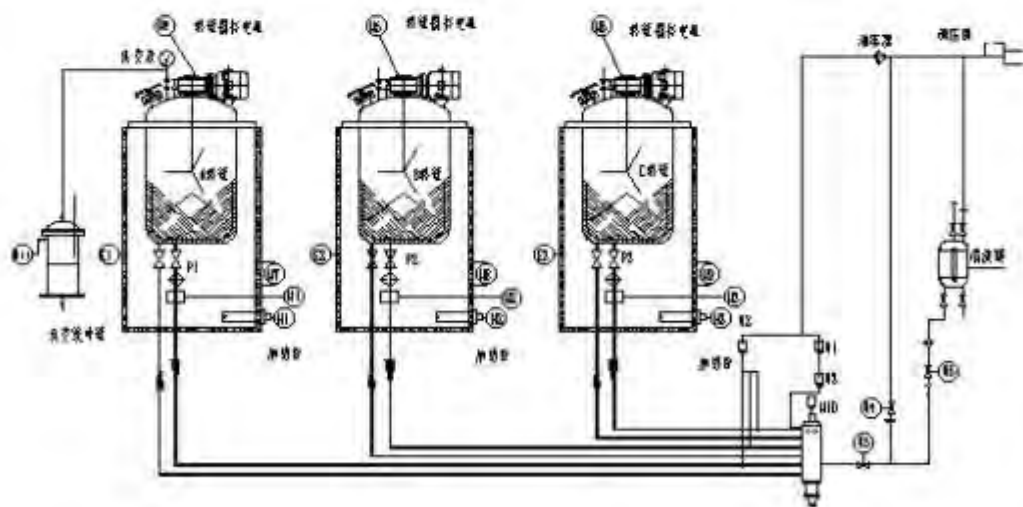
- 温控系统稳定可靠，采用导热油及电配合进行加热，多点温度控制装置，温度误差 $\leq \pm 2^{\circ}\text{C}$ 。
- 耐高温低转速高精度计量泵，配比精确，调节灵活，计量精度误差不超过 $\leq \pm 0.5\%$ 。
- 混合装置设计合理、混合头轻巧耐用，保证制品宏观无气泡。
- 带可加色浆控制系统，色浆直接进入混合装置，混合均匀，计量精确。
- 实现一机多用，可以做三组份或二组份单独使用。
- 采用PCL模块控制，浇注、自动清洗及气冲，性能稳定，可操作性强。

- The temperature control system is stable and reliable; the heating uses conduction oil and electricity; multi-point temperature control device; temperature error $\leq \pm 2^{\circ}\text{C}$.
- High-temperature resistant low-speed high-precision metering pump; accurate matching, flexible adjustment and measurement accuracy error of less than $\leq \pm 0.5\%$.
- The mixing device is reasonably designed; the mixing head is light and durable, which ensures no visible bubbles in products.
- Equipped with the control system able to add color paste and the color paste directly goes into the mixing device; the mixing is uniform and the metering is accurate.
- Achieve the multiple uses with one machine; one can use it separately as three-component or two-component.
- Adopt PLC module control; casting, automatic cleaning and air impact; stable performance and strong operability.



Main parameters 主要参数

项目/型号ITEM / MODEL	CPU30J-1	CPU30J-2	CPU30J-3	CPU30J-4	CPU30J-5
总吐出量 (g/min) Total discharge amount (g/min)	250-2500	1000-5000	3000-10000	5000-15000	10000-30000
A组料罐容量 (L) Tank capacity of group (L)	160	160	250	250	400
B组料罐容量 (L) Tank capacity of group (L)	160	160	250	250	400
C组料罐容量 (L) Tank capacity of group (L)	30	30	80	80	80
浇注头搅拌转速 (r/min) Pouring head stirring speed (r/min)	3000-5000	3000-5000	4000-5000	4000-5000	3000-5000
离地面高度 (mm) Height from the ground (mm)	1100-1400	1100-1400	1100-1400	1100-1400	1100-1400
总功率 (kw) Total power (KW)	30	30	35	35	40



CPU20J-G-JL SERIES

INDUSTRIAL POLYURETHANE ELASTOMER WHEEL
CASTING MACHINE

聚氨酯弹性体工业轮浇注机



Application 用途

用于生产以MOCA等为交联剂的浇注型聚氨酯弹性体制品，生产PU的弹性体具备耐磨耗、耐化学侵蚀、高强度、高弹性、耐低压、吸震性强、耐撕裂、耐辐射，高承载和减震缓冲等良好性能。PU轮同时具备较宽的硬度规模，从邵氏A10-100。

Used to produce the casting type polyurethane elastomer products whose cross-linking agent is MOCA etc; the elastomers used to produce PU have many good performances such as abrasion resistance, chemical resistance, high strength, high flexibility, low-pressure resistance, shock absorption, resistance to tear, resistance to radiation, high load, shock absorption and buffer etc. PU wheels have wide hardness scale, from Shore A10-100.

Working condition 使用条件

组分名称 Component name	混合比 Mixing ratio	温度 Temperature (°C)	粘度 Viscosity (CPS)
A (TDI预聚体) (TDI prepolymer)	100	60 ~ 100°C	<2000
B (MOCA等)	6 ~ 20	80 ~ 125°C	<100
色浆 Color paste	0.5 ~ 3	常温 Room temperature	50 ~ 2000

Features 特点

- 温控系统稳定可靠，采用导热油或电配合进行加热，多点温度控制装置，温度误差 $\leq \pm 2^{\circ}\text{C}$ 。
 - 耐高温低转速高精度计量泵，配比精确，调节灵活，计量精度误差不超过 $\leq \pm 0.5\%$ 。
 - 混合装置设计合理、混合头轻巧耐用，保证制品宏观无气泡。
 - 可带加色浆控制系统，色浆直接进入混合装置，混合均匀，计量精确。
 - 采用PLC模块控制、浇注、自动清洗及气冲，性能稳定，可操作性强。
- The temperature control system is stable and reliable; the heating uses conduction oil and electricity; multi-point temperature control device and the temperature error $\leq \pm 2^{\circ}\text{C}$.
 - High-temperature resistant low-speed high-precision metering pump; accurate matching, flexible adjustment and measurement accuracy error of less than $\leq \pm 0.5\%$.
 - The mixing device is reasonably designed and the mixing head is light and durable, ensuring no visible bubbles in products.
 - Equipped with the color paste control system and the color paste directly goes into the mixing device; the mixing is uniform and the metering is accurate.
 - Adopt PLC module control; casting, automatic cleaning and air impact; stable performance and strong operability.



ZECHENG Machines characteristics (特性)

GENERAL LAYOUT 基本框架

- Modular design 模块设计
- 2 to 8 components 可选2-8组份
- Stainless steel tanks 不锈钢罐
tank capacities 罐容量: 30L-600L
- Metering system 计量系统
- Mixing system 混合系统
- Vacuum capable tanks 真空缓冲罐
- Cleaning system 清洗系统
- Pipes 输送系统

Layout options 布局选项

- Fixed speed Stirrer 定速搅拌器
- Variable speed Stirrer 变速搅拌器
- Level sensor for tank 罐液位计
- Feeding valve 自动加料阀
- Mass flow meter 流量计

CONTROL SYSTEM 控制系统

- Siemens PLC 西门子PLC
- Touch screen 触摸屏
- Adjustment and display 调节和显示
pump speeds 泵速度
temperatures 温度
preheating timer for each component 预热定时
pour time 浇注时间
- Up to 99 formulations 达99种配方
- Auto-adjust mix ratio 自动调整混合比
- Production and alarm history data storage 生产和警报历史数据存储

Parameter display 参数显示

- Maintenance operations 维护操作
- Pressure 压力
- Temperature 温度

PROCESS FLEXIBILITY 流程灵活性

- output up to 50kg/min 流量: 0.2— 50 kg/min
- Material temperature 原料温度
heating up to 130° C 加热至130° C

Flexibility options 灵活性选项

- Pigment 色浆
- Catalyst 催化剂
- Auto degasser 自动脱泡装置
- MOCA melter 胺类化料器
- Feeding device 胺类进料装置
- Add specific formulations and programme 添加特殊配方和程序调整
- Remote assistance maintenance 远程协助维护
- Special production line 专用生产线
- Rotational Casting option 旋转浇注选项

Main parameters 主要参数

项目/型号 ITEM / MODEL	CPU20J-1	CPU20J-2	CPU20J-3
总吐出量 (g/min) Total discharge amount (g/min)	250-800	1000-3500	2000-5000
A组料罐容量 (L) Tank capacity of group (L)	160	160	250
B组料罐容量 (L) Tank capacity of group (L)	30	30	80
浇注头搅拌转速 (r/min) Pouring head stirring speed (r/m)	4000-5000	4000-5000	4000-5000
浇注头伸出距离 (mm) Outreach distance of pouring head (mm)	800	800	800
离地面高度 (mm) Height from the ground (mm)	1100	1100	1100
总功率 (kw) Total power (kw)	30	32	35

CPU20J-NDI SERIES

NDI SYSTEM ELASTOMER CASTING
MACHINE

NDI体系弹性体浇注机



Application 用途

用于生产以NDI等为交联剂的浇注型聚氨酯弹性体制品，在本机配有NDI预聚体专用反应釜及真空脱泡。生产制品具有耐热、耐磨性以高强度抗拉性等，中低硬度聚氨酯弹性体制品，在本机混合装置中可直接加入色浆。

Applicable to the manufacture of casting polyurethane elastomer products whose cross-linking agent is NDI etc. There are special reaction still and vacuum degassing for NDI prepolymer in this machine. It's products are the polyurethane elastomer products with middle and low hardness, heat resistance, wear resistance, high strength and tensile strength. Color pastes can be directly added in the mixing device of this machine.

Working condition 使用条件

组分名称 Component name	重量混合比 Mixing ratio	温度 Temperature (°C)	粘度 Viscosity (CPS)
预聚体 (NDI) Prepolymer (NDI)	100	90 ~ 130℃	<4000
扩链剂 (BDO) Chain extender (BDO)	3 ~ 15	20 ~ 100℃	<200
色浆 Color paste	0.5 ~ 3	常温 Room temperature	<2000

Features 特点

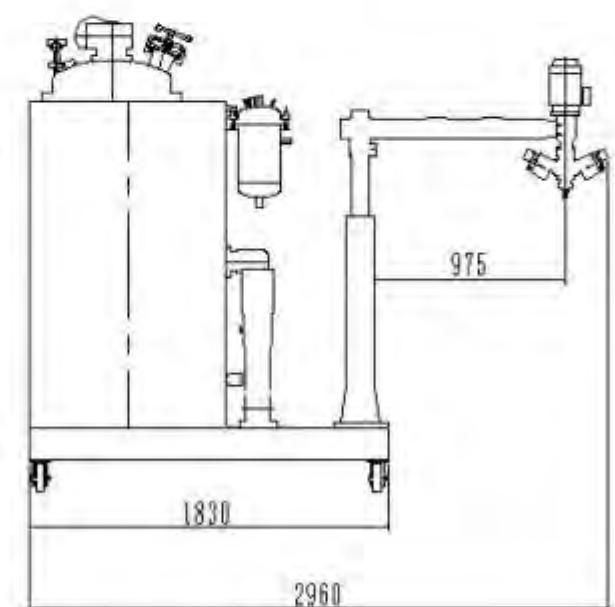
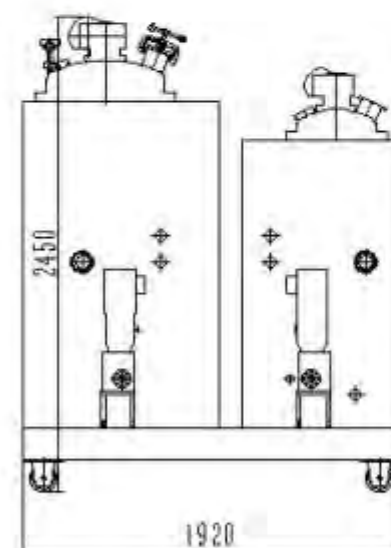
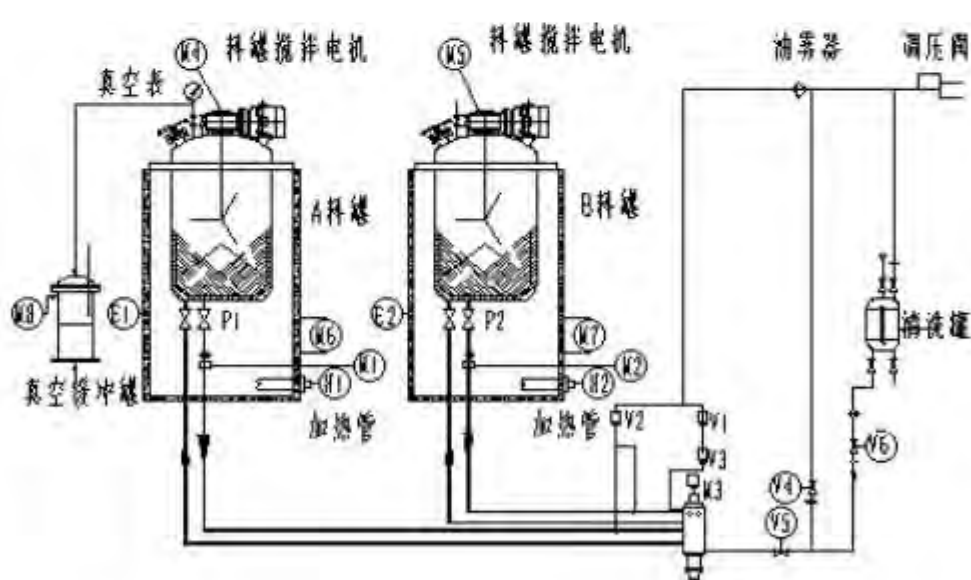
- 温控系统稳定可靠，采用导热油或电配合进行加热，多点温度控制装置，温度误差 $\leq \pm 2^{\circ}\text{C}$ 。
- 采用耐高温低速高精度德国计量泵，配比精确，调节灵活，计量精度误差不超过 $\pm 0.3\%$ 。
- 可带加色浆控制系统，色浆直接进入混合装置，随时切换不同的颜色，混合均匀，计量精确。
- 混合装置设有静态压力平衡装置（专利技术），本技术消除流量误差，提高计量精度，稳定性更好。采用变截面高剪切混合头，保证制品宏观无气泡。
- 采用进口PLC控制器、监视整个设备控制系统、异常时会自动判别、诊断及报警、异常因素显示，PLC模块控制、浇注、自动清洗及气冲，性能稳定，可操作性强。

- The temperature control system is stable and reliable; the heating uses conduction oil and electricity; the temperature error $\leq \pm 2^{\circ}\text{C}$.
- High-temperature resistant low-speed high-precision German metering pump; accurate matching, flexible adjustment and measurement accuracy error of less than $\pm 0.3\%$.
- Equipped with the control system able to add color paste and the color paste directly goes into the mixing device; different colors can be switched at any time; the mixing is uniform and the metering is accurate.
- The mixing device is equipped with static pressure balance device (patented technology), which removes flow error and improve measuring accuracy, meanwhile the stability is better. It uses the high shear mixing head of variable cross-section, which ensures no visible bubbles in products.
- Adopt the imported PCL controller to monitor the entire device control system; it will automatically make judgment of abnormality, diagnosis and alarm, abnormal factors display, PLC module control, casting, automatic cleaning and air impact; stable performance and strong operability.



Main parameters 主要参数

项目/型号 ITEM / MODEL	CPU20J-N1	CPU20J-N2	CPU20J-N3	CPU20J-N4	CPU20J-N5
总吐量 (g/min) Total discharge amount (g/min)	250-800	1000-3500	2000-5000	3000-8000	5000-15000
A组料罐容量 (L) Tank capacity of group (L)	80	160	160	220	400
B组料罐容量 (L) Tank capacity of group (L)	30	30	30	50	80
浇注头搅拌转速 (r/min) Pouring head stirring speed (r/min)	4000-5000	4000-5000	4000-5000	4000-5000	4000-5000
离地面高度 (mm) Height from the ground (mm)	1200	1200	1200	1200	1200
总功率 (kw) Total power (kw)	25	25	25	28	28



NDI 车用减震器 SERIES

FULL-AUTOMATIC MICROPOROUS ELASTOMER
CASTING MACHINE (NDI)

全自动微孔弹性体浇注机 (NDI)



Application 用途

NDI型微孔PU弹性体应用于车用减震器缓冲元件，如止位块、缓冲块、防尘罩、踏板、高承载轮和辊等。

NDI型聚氨酯微孔弹性体具有材料质轻、耐冲击性佳、吸能、缓冲性能好和弹性体的强度高，耐磨性好的优点，具有优良的耐挠曲性和良好的透气性。

NDI microporous PU elastomer is applied to the buffer components of automotive shock absorbers, such as stop block, buffer block, dust-proof cover, pedals, large-load wheels and roller etc.

NDI polyurethane microporous elastomer has advantages like light material, impact resistance, energy absorption, good buffer performance, high strength of elastomers and abrasion resistance; additionally it has good flexural resistance and good air permeability.

Features 特点

- 采用高精度计量泵，专利技术的调压装置，调节灵敏方便，误差 $\pm 0.5\%$ 。
- 温控系统稳定：采用导热油或电配合进行加热，多点温度控制装置，温度误差 $\leq \pm 2^{\circ}\text{C}$ 。
- 特殊的混合装置：设计合理、性能稳定可靠、专利混合头、混合均匀、反应完全保证制品达到微孔结构的要求。
- 采用进口PLC控制器、监视整个设备控制系统、异常时会自动判别、诊断及报警、异常因素显示，PLC模块控制、浇注、自动清洗及气冲，性能稳定，可操作性强。

- High-precision metering pump; pressure adjusting device with patented technology; flexible adjustment and error of less than $\pm 0.5\%$.
- The temperature control system is stable and reliable; the heating uses conduction oil and electricity; multi-point temperature control device and the temperature error $\leq \pm 2^{\circ}\text{C}$.
- Special mixing device: rational design, reliable performance, patented mixing head, uniform mixing; the performance fully meets the requirements of microporous structure.
- Adopt the imported PLC controller to monitor the entire device control system; it will automatically make judgment of abnormality, diagnosis and alarm, abnormal factors display, PLC module control, casting, automatic cleaning and air impact; stable performance and strong operability.



Working condition 使用条件

组分名称 Component name	混合比 Mixing ratio	温度 Temperature ($^{\circ}\text{C}$)	粘度 Viscosity (CPS)	密度 Density
NDI预聚体 NDI prepolymer	100	80 ~ 110	< 3000	~ 1.1
交联剂 Cross-linking agent	15 ~ 45	30 ~ 60	< 50	~ 1



Main parameters 主要参数

项目/型号 ITEM / MODEL	NDI20J-F1	NDI20J-F2	NDI20J-F3	NDI20J-F4
总吐出量 (g/min) Total discharge amount (g/min)	200-1000	400-1600	800-3500	2000-8000
A组料罐容量 (L) Tank capacity of group (L)	120	160	160	220
B组料罐容量 (L) Tank capacity of group (L)	30	30	30	80
浇注头搅拌转速 (r/min) Pouring head stirring speed (r/min)	4000-5000	4000-5000	4000-5000	4000-5000
离地面高度 (mm) Height from the ground (mm)	1200	1200	1200	1300
总功率 (kW) Total power (KW)	19	19	19	23
重量 (kg) Weight (kg)	1600	2000	2000	2500

TPU30J-A/D SERIES

TPU AUTOMATIC CNC THERMOPLASTIC ELASTOMER
CASTING MACHINE

TPU全自动数控热塑性弹性体浇注机



Application 用途

用于生产一种由低聚物多元醇软段与异氰酸酯扩链剂硬段构成的线性嵌段共聚物制品。TPU应用市场、运动器材、医疗用品、工业耐磨部件齿轮、软管、线缆、防水膜、安全气囊、电子包装膜等。

Used to produce a kind of linear block copolymer products constituted by oligomer polyol soft segment and hard segments of different nitrogen acid ester chain extender. TPU application market, sports equipment, medical supplies, industrial wear parts, gears, hoses, cables, waterproof membrane, airbags, electronic packaging film etc.

Working condition 使用条件

组分名称Component name	混合比Mixture Ratio	温度Temperature(°C)	粘度Viscosity(CPS)
A 多元醇 Polyhydric alcohols	100	20-100	< 2000
B (MDI)	20-60	20-70	< 200
C (BDO)	4-20	20-70	< 500

Features 特点

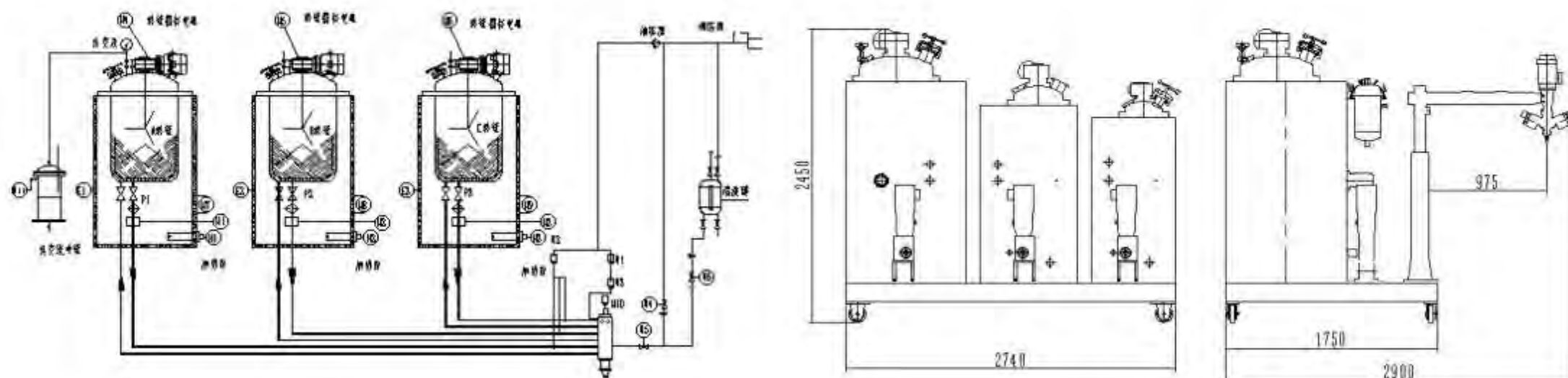
- 采用高精度计量泵、通过质量流量计，采用闭环控制，伺服电机控制计量泵速度，保证计量精度，误差 $\leq \pm 3\%$ 。
- 专利技术的调压装置，调节灵敏方便，误差 $\pm 0.5\%$ 。
- 温控系统稳定：采用导热油或电配合进行加热，多点温度控制装置，温度误差 $\leq \pm 2^\circ\text{C}$ 。
- 混合均匀：采用叶片式高剪切混合头，性能可靠。
- 整机系统由PLC触摸屏控制，显示压力、温度、流量转速、浇注、气冲、清洗等参数，性能稳定，自动化程度高、可操作性强。

- High-precision metering pump; through quality flowmeter and using closed-loop control together with servo motor to control the metering pump speed and thereby ensure measurement accuracy with error $\leq \pm 3\%$.
- Pressure adjusting device with patented technology; flexible adjustment and error of $\pm 0.5\%$.
- The temperature control system is stable: the heating uses conduction oil and electricity; multi-point temperature control device and the temperature error $\leq \pm 2^\circ\text{C}$.
- Mixing uniformity: The adoption of vane type high shear mixing head makes the reliable performance.
- The entire machine system is controlled by PLC touch screen, which displays pressure, temperature, flow rotation speed, casting, air impact, cleaning and other parameters; it has stable performance, high degree of automation and easy operation.



Main parameters 主要参数

项目/型号ITEM / MODEL	TPU30J-I	TPU30J-II	TPU30J-III
吐出量(kg/min) Discharge amount (kg / min)	1-5	3-10	5-17
产能(kg/h) Capacity(kg/h)	60-300	180-600	30-1000
A组料罐容积(L) Tank capacity of group (L)	220	220	360
B组料罐容积(L) Tank capacity of group (L)	120	160	160
C组料罐容积(L) Tank capacity of group (L)	80	80	80
浇注头搅拌转速(r/min) Pouring head stirring speed (r / min)	3000-5000	3000-5000	3000-5000
浇注头离地高度(mm) The height from the grond(mm)	1300	1300	1300
总功率 (kw) Total power (kw)	38	48	52
重量(KG) Weight(kg)	2800	2800	3000



CPU20J-S SERIES

RESEARCH FORMULA
TESTING MACHINE

科研配方实验机



Working condition 使用条件

组分名称 Component name	混合比 Mixing ratio	温度 Temperature	粘度 (cps) Viscosity (cps)
A (预聚体) (Prepolymer)	100	60-100	< 3000
B (MOCA or BDO)	5-20	40-125	< 500



POLYURETHANE STATIC PERFUSION TESTING MACHINE

聚氨酯静态灌注实验机

Application 用途

供大专院校、科研机构做配方试验用，是聚氨酯泡沫塑料的配方和制品试验的理想设备。

For tertiary institutions, scientific research institutions to do with the formula test, is the polyurethane foam formulations and products of the ideal test equipment.

Features 特点

- 体积小，重量轻，方便操作。
- 计量准，高精度低速齿轮泵，误差 $\leq 5\%$ 。
- 混合均匀，采用多齿高剪切混合头，性能可靠。

Small size, light weight, easy operation.
Accurate, high-precision low-speed gear pump, error $\leq 5\%$.
Mixing evenly, using multi-tooth high shear mixing head, reliable performance.



MULTI-COMPONENTS FORMULA TESTING MACHINE

多组份配方实验机



PU FORMULA TESTING MACHINE
PU配方实验机



CPU FORMULA TESTING MACHINE
CPU配方实验机

ZC-FYF/ZC-LX SERIES

ELASTOMERIC & PREPOLYMER REACTOR

弹性体预聚体反应釜



Features 特点

- 经预聚体法生成的弹性体结构均匀，使制品具有良好的力学性能，重复性好。
- 可自动控制料温，加温快均匀、先进的冷却方式快速方便安全。
- 高精度新型密封装置，确保罐内高真空度，提高制品品质。
- The elastomer structure produced by the prepolymer method is uniform, so that the product has good mechanical properties, good reproducibility.
- Can automatically control the material temperature, heating fast uniform, advanced cooling fast and convenient security.
- High-precision new sealing device to ensure high vacuum tank, improve product quality.

名称/型号 NAME / MODEL	反应釜容积 Reactor Volume	温度控制 Temperature Control	转速 (r/min) Rotation Speed	搅拌电机 (kw) Mixing motor (kw)	电加热功率 (kw) Electric heating power (kw)
FYF-50L	◆400X350	数显可调 Quantity control 自动控制 Automatic Control	85转/分rpm 85 rev / min rpm	0.55	3X3kw
FYF-100L	◆500X450		85转/分rpm 85 rev / min rpm	0.55	3X3kw
FYF-150L	◆600X500		85转/分rpm 85 rev / min rpm	1.1	3X3kw
FYF-200L	◆600X700		85转/分rpm 85 rev / min rpm	1.1	3X4.5kw
FYF-300L	◆700X700		85转/分rpm 85 rev / min rpm	2.2	6X3kw
FYF-500L	◆900X750		85转/分rpm 85 rev / min rpm	2.2	6X3kw
摆放方式 Display mode	固定式或移动式 Fixed or mobile				
真空度 Vacuum degree	极限真空/6X10 ⁻² Pa Ultimate vacuum				
工作温度 Operating Temperature	80~120℃				
循环油泵功率 (kw) Circulation oil pump power (kw)	VK-15 0.75kw				

POLYURETHANE ELASTOMER CENTRIFUGAL MOLDING MACHINE

聚氨酯弹性体离心成型机



Application 用途

卧式离心成型机可生产聚氨酯弹性体CPU片材、丝印刮刀、耐磨刮刀及复印机刮片，保证胶片厚薄均匀、表面光洁度高。

Horizontal centrifugal molding machine can be used to produce polyurethane elastomer CPU sheet, screen scraper, wear-resistant scraper and copier scraper; it ensures uniform film thickness and high degree of surface finish.

Features 特点

- 胶片厚度由注入的浇注胶量来控制。
- 加热管均匀分布，自动控温、调节方便、热风循环更全面更稳定。
- 胶片厚薄均匀，邵氏A硬度均匀一致，表面光洁平整，胶片厚度1-20mm
- 变频调速，带停止制动刹车装置，计时报警、增速、减速过载时自动保护。
- The film thickness is controlled by the amount of pouring glue injected.
- Heating pipe evenly distributed, automatic temperature control, easy adjustment, hot air circulation more comprehensive and more stable.
- Film thickness uniformity, Shore A hardness uniform, smooth and smooth surface, film thickness 1-20mm
- Frequency control, with a stop brake brakes, timing alarm, speed, deceleration overload automatic protection.

Main parameters 主要参数

项目/型号 ITEM / MODEL	LX-500	LX-1000	LX-1000	LX-1300	LX-1500
滚轮内径和径深 Internal diameter and depth of rollers	500X420	1000X650	1000X1020	1300X1020	1500X820
滚筒转速(r.p.m) Roller rotational speed (r.p.m)	100-1000	100-800	100-800	100-600	100-600
胶片厚度(mm) Film Thickness (mm)	1-20	1-20	1-20	1-20	1-20
胶片尺寸: 长X宽(mm) Film Dimensions: Length X Width (mm)	1500X420	3000X650	3000X1000	4000X1020	4700X820
滚筒加热功率(kw) Roller heating power(kw)	7.2	7.2	9	9	9
电机功率(kw) Motor Power (Kw)	5.5	5.5	7.5	11	11
重量 (kg) Weight (kg)	2000	3000	4000	5000	5500

ZC-HX/ZC-PV SERIES

HEATED AIR CIRCULATION TYPE OVEN

热风循环式烘箱



Application 用途

适用于烘烤有化学性气体、漆模的烘干用于聚氨酯预热模具、原料的预热熔化、CPU或PU制品的后硫化，如冶金、印染、纺织、矿山、造纸业的各种胶辊、高载荷实心轮，矿山用筛板等。

Suitable for baking of chemical gas, drying of film, preheating mold of polyurethane, preheat and melting of raw material, additional vulcanization of CPU or pu products, such as all kinds of rubber roller, high load solid core wheel and mine sieve plate etc in metallurgy, printing and dyeing, textile, mining and paper making industry.

Features 特点

- 采用智能数显温控调节仪和温控传感器,稳定可靠。
- 采用内热风循环式通过，温度指示调节器可将烘道内温度控制并稳定在45~200℃范围内的任意点上。保证烘箱内部不同区域的温差在±1℃以内。
- 控制系统、可靠灵敏，设置多路保护装置，短路、超温、定时等情况下起到保护作用，更安全更可靠。
- The use of intelligent digital display temperature regulator and temperature sensor makes it stable and reliable.
- Use the heated air circulation; the temperature indicating controller can control the temperature inside drying tunnel and make it stable at any point within the range of 45~200℃, ensuring that the temperature difference of different regions inside the oven within $\leq +1^{\circ}\text{C}$.
- Reliable and sensitive control system; multiple protection devices are set, working as protection in case of short circuit, over-temperature and timing, which makes it more secure and more reliable.

Main parameters 主要参数

项目/型号 ITEM / MODEL	工作温度 (°C)	总功率 (KW)	风机功率 (KW)	工作室规格 (mm) 宽 × 深 × 高
HX-1	常温-200	9	0.55	900x900x1500
HX-2	常温-200	15	0.75	1200x1200x1500
HX-3	常温-200	21	0.75	1500x2000x1500
HX-4	常温-200	27	1.5	2000x3000x1800

POLYURETHANE VULCANIZING MACHINE

聚氨酯平板硫化机



Application 用途

适用于浇注CPU聚氨酯弹性体的模具预热及浇注后定型硫化用，如金属冲压模用聚氨酯板棒、高载荷实芯轮，矿山用筛板，液压密封圈、光伏导轮等。

Suitable for the mold preheat of casting CPU polyurethane elastomer and the shaping and vulcanization after casting. For example, polyurethane plate rods for metal stamping mould, high load solid core wheel, sieve plate for mining, hydraulic seal ring, photovoltaic guide wheels etc.

Features 特点

- 工作温度110℃-130℃，
- 平板表面热处理，平整度误差≤0.1mm，经平面磨床精加工而成。
- 油箱采用导热油电加热循环，由聚氨酯硬泡保温，加温更均匀速度更快，高效节能作用。
- 整机设计合理，原理先进，性能可靠。
- Operating Temperature: 110℃-130℃
- Heat treatment for plate surface, flatness ≤0.1mm, processed by flat grinder.
- The oil tank uses conduction oil and electrical heating circulation; rigid polyurethane foam works for insulation, which makes the heating faster, more efficient and energy-saving.
- The whole machine is reasonably designed with advanced theory and reliable performance.



Main parameters 主要参数

项目/型号 ITEM / MODEL	PV-1000	PV-1500	PV-2000	PV-3000
平板表面温度 (℃)	120~160	120~160	120~160	120~160
电加热功率 (KW)	3×4.5	3×4.5	6×4.5	6×6
平板尺寸 (mm)	1000×1200	1500×1200	2000×1200	3000×1500
导热油用量 (L)	75	75	100	100

ZC-QG切割机/手工操作台 SERIES

POLYURETHANE ELASTOMER SHEET
CUTTING MACHINE

聚氨酯弹性体片切割机



Application 用途

主要用于聚氨酯弹性体（PU）片材的切割。
Mainly used for polyurethane elastomer (PU) sheet cutting.

Features 特点

- 将聚氨酯弹性体（PU）片材用压条锁定的衬胶大圆筒上。
- 由横向导轨刀架上的刀具进行切割。
- 切割宽度可以自由调整，可使用带5-10度后角的高速钢刀具。
- 材料硬度大时可以加大后角
- The polyurethane elastomer (PU) sheet is lined with a large rubber lined lock cylinder.
- The tool is cut by the tool on the cross rail.
- Cutting width can be adjusted freely, you can use with 5-10-degree angle after the high-speed steel cutting tools.
- Material hardness can be increased when the horn.



MANUAL CONSOLE 手工操作台



Application 用途

- 用于以NDI\MDI等为交联剂的聚氨酯弹性体制品手工操作台。
 - NDI\MDI预聚体在本机可以真空脱泡。
 - MDI和预聚体有开关阀同步控制，方便生产制品也方便做手工实验。
 - 出料口下方配有电子称
 - 还备有可以自动升降高速搅拌器
 - 备有真空泵和真空箱
- Used for polyurethane elastomer product manual console whose cross-linking agent is NDI \MDI etc.
 - NDI \MDI prepolymer can make vacuum degassing in this machine.
 - There's switch valve synchronous control as for MDI and prepolymers, bringing convenience for production of products and manual experiments.
 - Electronic scale is equipped at the lower part of discharge port.
 - High speed blender which can automatically lift up and down is also available.
 - Vacuum pump and vacuum tank are available.

CHEMICAL FEEDER 化料器

Application 用途

- 主要用于MOCA材料在生产加工前的熔化。
- Mainly used for MOCA materials in the production and processing before the melting.

Features 特点

- 工作温度为100-180摄氏度,加热到工作温度的时间需小于1小时, MOCA不会出现烧焦、不融等缺陷。
- 实际熔料效果为每小时熔料20升。
- 外接电源电压为220V, 电功率为1.8KW。
- Operating temperature is 100-180 degrees Celsius, the heating time to the working temperature of less than 1 hour, MOCA will not burn, do not melt and other defects.
- The actual melt effect is 20 liters per hour melt.
- External power supply voltage is 220V, electric power is 1.8KW.



ZECHENG

02 FM



Zce PU
泽程聚氨酯



发泡机系列

PU FOAM MACHINE
SERIES



软泡系列

SOFT FOAM SERIES

硬泡系列

RIGID FOAM SERIES

自结皮系列

SELF CRUST SERIES



ZC-G20/30 SERIES

POLYURETHANE HIGH PRESSURE
FOAMING MACHINE

聚氨酯高压发泡机



流量计
Flowmeter



磁力驱动柱塞泵
magnetic Driving Plunger
Pump



计量泵
Measuring pump



Features 特点

- “L”型混合头组份在混合腔中能得到均匀混合。
- 高压混合浇注头可垂直或水平安装，适用于开放式和闭模式浇注。由液压阀、喷嘴和组份校准系统组成。
- 计量前进行高压循环时，可用活塞喷针设定所需的工作压力。
- 混合控制杆控制各组份同时打开，使原料混合达到均匀的效果。
- 混合头的机械清洁由控制杆和清洁杆共同完成

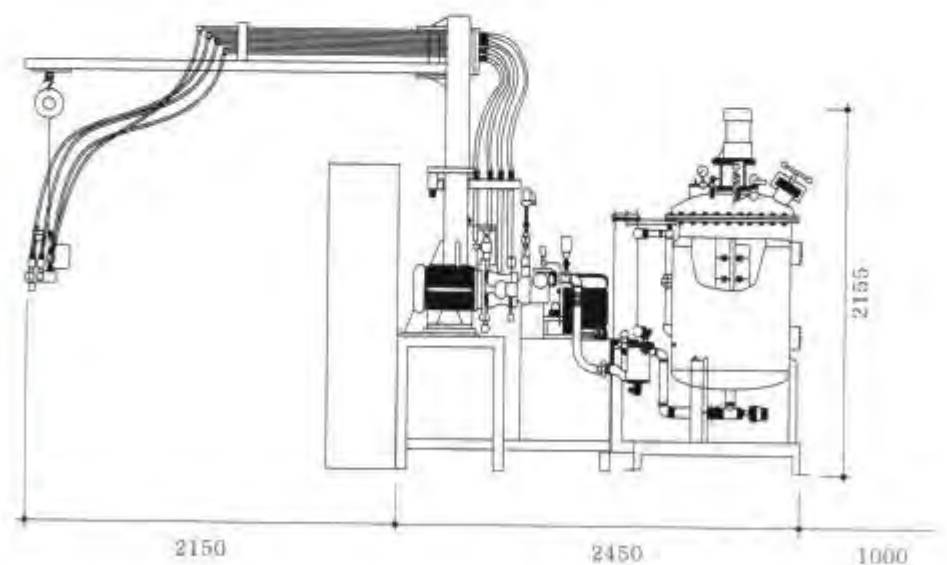
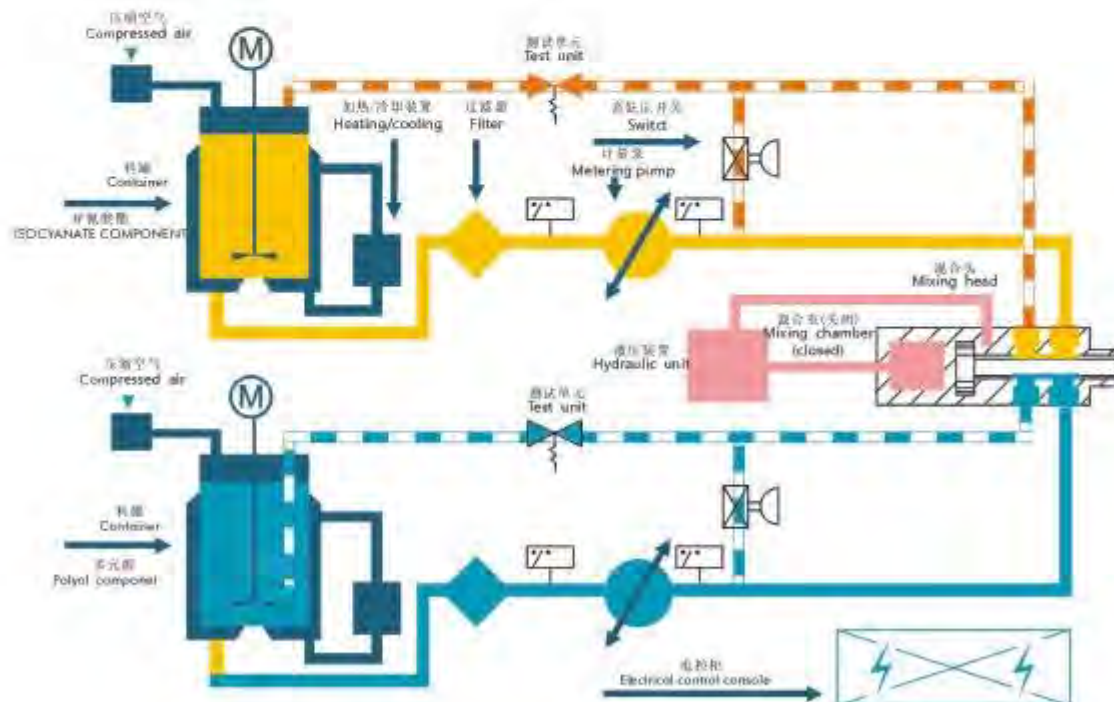
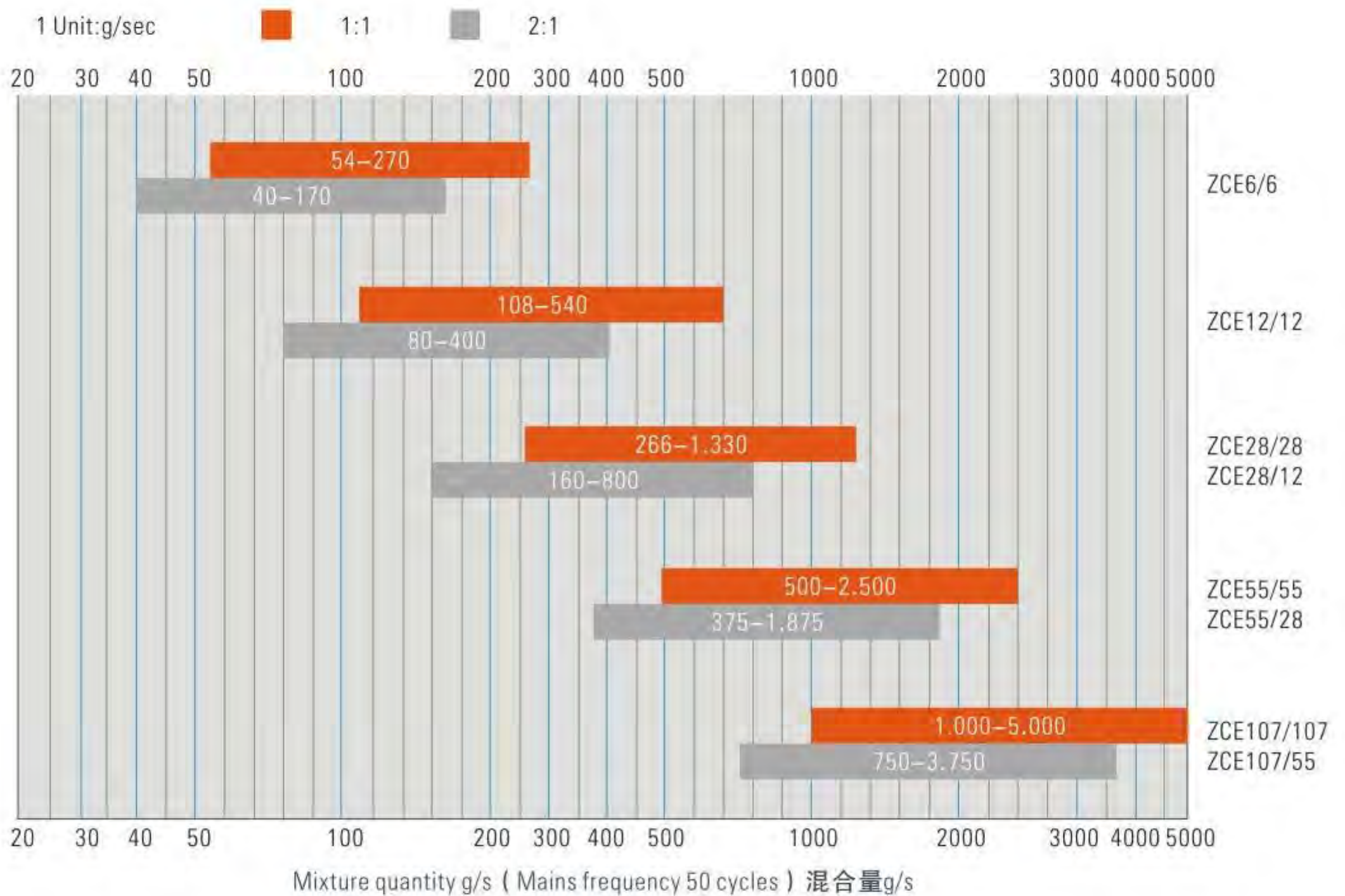
- "L"-type mixing head component can be uniformly mixed in the mixing chamber.
- High-pressure mixing pouring head can be vertically or horizontally mounted, suitable for both open and closed modes of pouring. Made up of hydraulic valves, nozzle and component calibration system.
- When high pressure cycle is executed before measuring, the piston spray needle can be used to set the desired work pressure.
- The mixed control lever controls the simultaneous opening of every component, enabling the raw materials achieve the effect of uniform mixing.
- The mechanical cleaning of mixing head is completed together by control lever and the cleaning lever.



Application 用途

主要用于生产冷熟化软泡、自结皮泡沫、模塑缓冲件、非连续性硬泡板材和硬泡填充制品的生产，特别适用于软泡、硬泡、半硬泡、自结皮泡沫。如冰箱、冷柜、汽车、摩托车座垫、仪表盘、保温管道、建材夹心板、家具等。

It is mainly used in the production of cold curing soft foam, self-crust foam, molding buffer, non-continuous rigid foam sheet and hard foam filling products, especially for soft foam, rigid foam, semi-rigid foam, Crust foam. Such as refrigerators, freezers, cars, motorcycle cushions, instrument panel, insulation pipes, building materials sandwich panels, furniture and so on.



ZC-G20/30 SERIES

FULLY AUTOMATIC HIGH PRESSURE
FOAMING MACHINE

全自动数控高压发泡机



Features 特点

- 采用进口PLC控制系统，监视整个设备控制系统，异常时会自动判别，诊断及警报、异常因素显示；具有自动检测压力、温度、液位、流量等功能；具有流量自动侦测，开环、闭环功能。
 - 容易维护和人性化，在任何生产情况下效率高，简便高效、液压驱动、自我清理、节省成本；组份在测量能直接校准，混合精度高、可重复混合均匀度好，组份严格控制准确。
 - “L”型混合头组份在混合腔中能得到均匀混合。
 - 高压混合浇注头可垂直或水平安装，适用于开放式和闭模式浇注。由液压阀、喷嘴和组份校准系统组成。
-
- Automatic detection of pressure, temperature, liquid level, flow and other functions; with automatic detection of traffic, open-loop, automatic detection, alarm and other abnormalities; automatic detection of pressure, temperature, liquid level, flow rate and other functions; with imported PLC control system to monitor the entire equipment control system, Closed loop function.
 - Easy to maintain and humane, in any production conditions, high efficiency, simple and efficient, hydraulic drive, self-cleaning, cost savings; components in the measurement can be directly calibrated, high precision mixing, repeatable mixing uniformity, strict control accurate.
 - "L"-type mixing head components in the mixing chamber can be uniform mixing.
 - high-pressure mixed pouring head can be installed vertically or horizontally, suitable for open and closed mode of casting. Composed of a hydraulic valve, nozzle and component calibration system.



HIGH PRESSURE FOAM TESTING MACHINE

高压发泡实验机



ZECHENG Machines characteristics (特性)

GENERAL LAYOUT 基本框架

- Modular design 模块设计
- 2 to 4 components 可选2-4组份
- Stainless steel tanks 不锈钢罐
tank capacities 罐容量: 30L~500L
- Metering system 计量系统
- Mixing system L type 混合系统L型
- Liquid pressure system 液压系统
frequency motor 变频电机
- Pipes 输送系统

Layout options (布局选项)

- Level sensor for tank 罐液位计
- Feeding pump 加料泵
- Variable plunger pump 变量柱塞泵
- Ration plunger pump 定量柱塞泵
- Mass flow meter 流量计

CONTROL SYSTEM 控制系统

- Siemens or Taiwan PLC option
进口或国产PLC选项
- Touch screen 触摸屏
- Flow rate adjustment 流量调节
- Auto-testing pressure 自动检测压力
- flow rate closed loop control 流量闭环控制
- Pour time 浇注时间
- Abnormal auto-identify 异常自动判别
- Up to 99 formulations 达99种配方
- Production and alarm history data
storage 生产和报警历史数据存储
- Parameter display 参数显示
- Maintenance operations 维护操作
- Pressure 压力
- Temperature 温度
- Flow rate 流量

PROCESS FLEXIBILITY 流程灵活性

- output up to 300kg/min
流量: 1— 300 kg/min
- Material temperature 原料温度:
heating up to 30° C 加热至30° C
- Refrigerator 制冷机

Auxiliary equipment 辅助设备

- Mold temperature machine 模温机
- Special production line 专用生产线
- Mold frame 模架

PU20J-R/Y SERIES

AUTOMATIC POLYURETHANE CASTING
TYPE FOAMING MACHINE

全自动二组份浇注式发泡机



Application 用途

用于生产硬质半硬质或软质聚氨酯制品，适用：摩托车、汽车坐垫、方向盘、扶手、电冰箱、保温材料、仿木家具等。生产高回弹冷模塑软泡常用二组分发泡机PU20J-R系列，生产硬泡常用二组份发泡机PU20J-Y系列。

Used to produce hard, semi-hard or soft polyurethane products, applicable to: motorcycle, car seat cushion, steering wheel, armrest, refrigerators, insulation materials, wood furniture etc. When used to produce the high-resilience cold molded soft foam, the two-component foaming machine PU20J-R series is commonly used, while for the production of hard foam, the two-component foaming machine PU20J-Y series is used.

Main parameters 主要参数

项目/型号 (ITEM / MODEL)		总吐量 (Kg/min) Total discharge amount (kg / min)	混合比(A:B) Mixing ratio (A:B)	外形尺寸 (长X宽X高) mm External dimension (mm)	总功率 (kw) Total power (kw)	重量 (kg) Weight (kg)
硬泡发泡机 PU20J-Y Foaming machine of hard foam	1Y	1-5	1:1	1700X1300X2400	10	1000
	2Y	4-12	1:1	1700X1300X2400	10	1000
	3Y	10-30	1:1	1700X1300X2400	11	1300
	4Y	15-50	1:1	1700X1300X2400	12	1300
	5Y	30-80	1:1	1700X1300X2400	15	1500
	6Y	50-120	1:1	1900X1400X2500	17	1500
	7Y	100-180	1:1	1900X1400X2500	20	1800
软泡发泡机 PU20J-R Foaming machine of soft foam	1R	1-4	2.5:1	1700X1300X2400	10	1000
	2R	4-12	2.5:1	1700X1300X2400	10	1000
	3R	8-20	2.5:1	1700X1300X2400	11	1000
	4R	10-35	2.5:1	1700X1300X2400	14	1300
	5R	20-50	2.5:1	1800X1400X2500	15	1300
	6R	25-60	2.5:1	1800X1400X2500	15	1500



ZECHENG Machines characteristics (特性)

GENERAL LAYOUT 基本框架

- Modular design 模块设计
- 2 to 4 components 可选2-4组份
- Stainless steel tanks 不锈钢罐
tank capacities 罐容量: 30L-500L
- Metering system 计量系统
- Pipes 输送系统
- Mixing system 混合系统
- Cleaning system 清洗系统
- Layout options (布局选项)
- Pump frequency speed 泵变频调速
- Pump manual speed 泵手动调速
- Level sensor for tank 罐液位计
- Automatic feeding 自动加料

CONTROL SYSTEM 控制系统

- Siemens or Taiwan PLC option
进口或国产PLC选项
- Touch screen 触摸屏
- Flow rate adjustment 流量调节
- Abnormal auto-identify 异常自动判别
- Temperature control 温度控制
- Pour time 浇注时间
- Up to 99 formulations 达99种配方
- Production and alarm history data
storage 生产和报警历史数据存储
- Parameter display 参数显示
- Pressure 压力
- Temperature 温度
- Flow rate 流量
- Pump speed 泵速度

PROCESS FLEXIBILITY 流程灵活性

- output up to 180kg/min
流量: 1— 180 kg/min
- Material temperature 原料温度:
heating up to 30° C 加热至30° C

Flexibility options 灵活性选项

- Feeding pump 加料泵
- Refrigerator 制冷机

Auxiliary equipment 辅助设备

- Mold temperature machine 模温机
- Special production line 专用生产线
- Mold frame 模架

PU20J-T SERIES

POLYURETHANE MICROCELLULAR
FOAMING MACHINE

聚氨酯微孔发泡机



Application 用途

用于生产聚氨酯微孔工业轮胎制品，如各种自行车轮胎、医疗器械轮胎、儿童车轮胎、轮椅轮胎、高尔夫车轮胎和工业用轮胎及各种用途实心轮胎。

Used to produce polyurethane microporous industrial tires products, such as all kinds of bicycle tires, medical equipment tires, buggy tires, wheelchair tires, golf cart tires, industrial tires and solid tires for a variety of purposes.

Features 特点

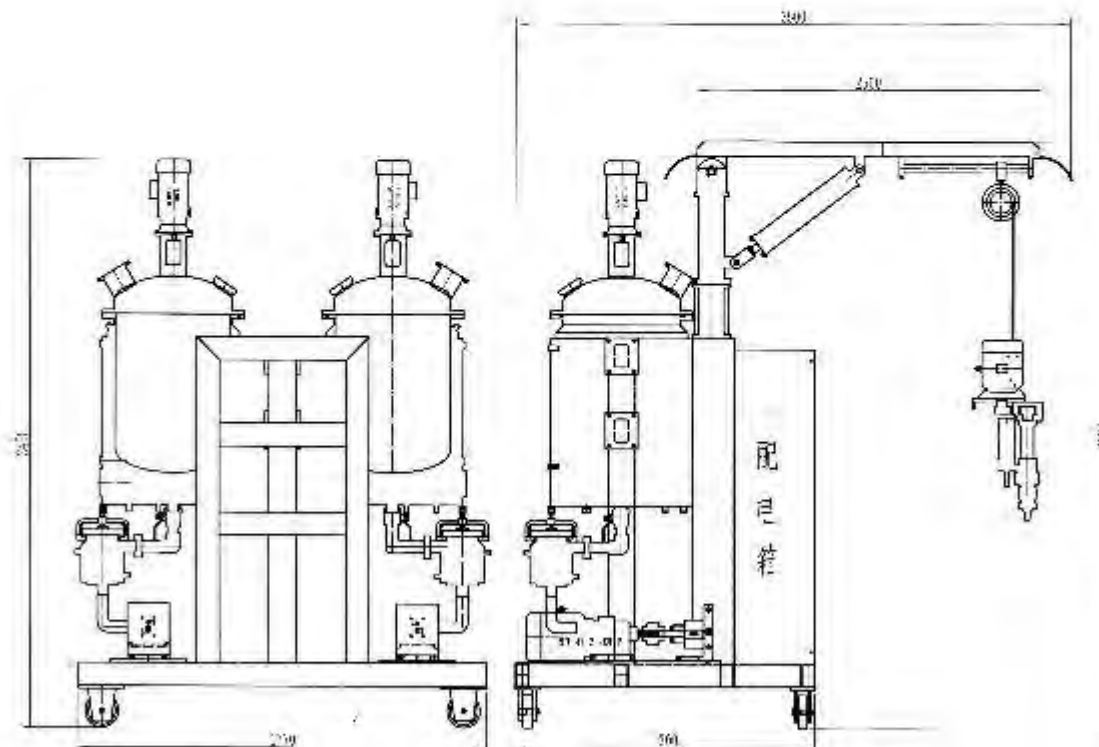
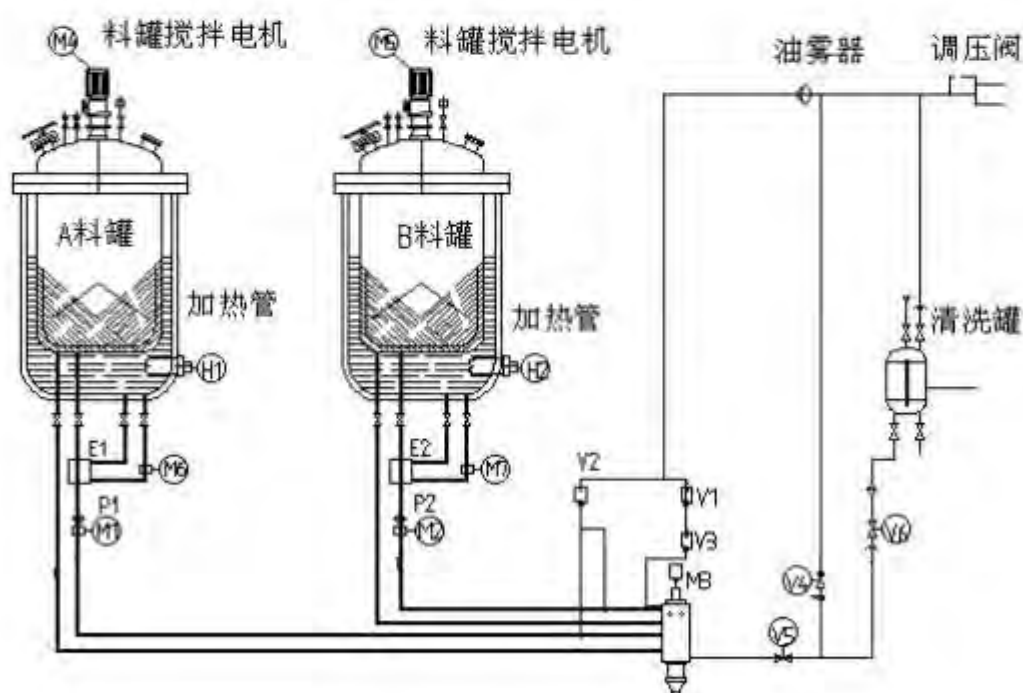
- 采用智能型全数字显示仪表，温度误差 $\leq \pm 1^{\circ}\text{C}$ 。
- 耐高温低转速高精度计量泵，配比精确，调节灵活，计量精度误差 $\pm 0.5\%$ 。
- 特殊的混合装置：设计合理、性能稳定可靠、专利混合头、混合均匀、反应完全保证制品达到微孔结构的要求。
- 采用进口PLC控制器、监视整个设备控制系统、异常时会自动判别、诊断及报警、异常因素显示，PLC模块控制、浇注、自动清洗及气冲，性能稳定，可操作性强。

- Using intelligent digital display meter, temperature error $\leq \pm 1^{\circ}\text{C}$.
- High-temperature resistant low-speed high-precision metering pump; accurate matching, flexible adjustment and measurement accuracy error of less than $\pm 0.5\%$.
- Special mixing device: rational design, reliable performance, patented mixing head, uniform mixing; the requirement of microporous structure is completely guaranteed.
- Adopt the imported PLC controller to supervise the control system of the whole equipment, automatically judge abnormality, make diagnosis and alarm, display abnormal factors; PLC module control, casting, automatic cleaning and air impact; stable performance and strong operability.



Main parameters 主要参数

项目/型号 (ITEM / MODEL)	PU20J-1T	PU20J-2T	PU20J-3T
混合比 (A : B) Mixing ratio	A:B=1:1	A:B=1:1	A:B=1:1
总吐量 (Kg/min) Total discharge amount (g / min)	1-5	3-12	10-30
机头转速 (r/min) Machine head speed	4000-6000	4000-6000	4000-6000
外形尺寸 (长X宽X高) mm External dimension	1700X1300X2400	1700X1300X2400	1700X1300X2400
总功率 (kw) Total power (kw)	8	9	9
重量 (kg) Weight	1000	1000	1300



PU20J-QR SERIES

AUTOMATIC CNC SEALING STRIP
CASTING MACHINE

全自动数控密封条浇注机



Application 用途

- 聚氨酯密封条在工业密封领域的应用越来越广泛，主要用来生产电板封条、电动和照明设备的密封装置、汽车的空气过滤器以及工业过滤设备等。
- 通过本机可按要求在平面或凹槽中浇注各种不同形状的密封条。
- The application range of polyurethane sealing strip has become much wider in the field of industrial seals, mainly used to produce electricity board seals, sealing device of electric and lighting equipment, automobile air filter and industrial filter etc.
- This machine can be used to make casting of sealing strips of different shapes in platform or grooves.

Features 特点

- 耐高温低转速高精度计量泵，配比精确，调节灵活，计量精度误差不超过 $\pm 0.5\%$ 。
- 精密动态混合头适于各种粘度的PU胶混合均匀，达成发泡、密封、浇注填充及胶粘等应用。
- 新型混合原料管路，自动清洗装置，不堵料，使维护和保养的过程变得迅速、简便。
- 采用数控装置伺服齿轮马达驱动工作台，工作台上的模具按程序设定的轨迹移动，可自动浇注方形、圆形或特殊不规则形状的密封条，具有生产效率高，性能可靠，操作简便等特点。
- 新一代数控程序：简化工作路径程序的编程，精度高、性能更稳定，所有工作参数能被储存、计算、设置及监控。



- High-temperature resistant low-speed high-precision metering pump; accurate matching, flexible adjustment and measurement accuracy error of less than $\pm 0.5\%$.
- The precise dynamic mixing head is applicable to the mixing of PU glue of all viscosity, realization of foam, sealing, casting filling and adhesive etc.
- The new pipelines for material mixing as well as the automatic cleaning device ensures no blocking of materials, so that the process of maintenance and upkeep becomes quicker and easier.
- The workbench is driven by CNC servo gear motor and the molds on workbench move in accordance with the trajectory set by program; it can automatically make casting of square, round or irregular shaped sealing strip, with features like high efficiency, reliable performance and easy operation etc.
- A new generation of NC program: simplifying the programming of working path program; high precision and more stable performance; all the working parameters can be stored, calculated, set and monitored.



Main parameters 主要参数

项目/型号 ITEM / MODEL	PU20J-1QR (平板型)	PU20J-2QR (平板型)	PU20J-1QR (槽型)	PU20J-2QR (槽型)	PU20J-3QR (槽型)
总吐出量 (g/s) Total discharge amount (g/s)	2-8	6-18	0.5-4	2-8	6-18
混合比(A:B) Mixing ratio	100: 20-35	100: 20-35	100: 20-35	100: 20-35	100: 20-35
单一原料罐容积(L) Single raw material tank volume(L)	30	30	30	30	30
矩形可自动浇注最大尺寸 (mm) Max. size of rectangular automatic pouring (mm)	2500X1500	2500X1500	2500X1500	2500X1500	2500X1500
浇注头上下最大行程(mm) Upper & lower max. stroke of pouring head (mm)	200	200	200	200	200
工作台移动转速 (m/min) Moving rotational speed of workbench (m/min)	5-20	5-20	5-20	5-20	5-20
粘度 (cps) Viscosity (cps)	1000-20000	1000-20000	300-3000	300-3000	300-3000
总功率 (kw) Total power (kw)	10	10	10	10	10

PU20J-LR SERIES

AUTOMATIC FILTER & SEALING GASKET
CASTING MACHINE

全自动滤清器密封垫浇注机



Application 用途

聚氨酯在工业密封垫领域的应用越来越广泛，主要用来生产电板封条、电动和照明设备的密封装置、汽车的空气滤清器以及工业过滤器设备PU浇注等。

The application range of polyurethane has become much wider in the field of industrial seals, mainly used to produce electricity board seals, sealing device of electric and lighting equipment, automobile air filter, industrial filter and PU casting etc.

Features 特点

- 耐高温低转速高精度计量泵，配比精确，调节灵活，计量精度误差不超过 $\pm 0.5\%$ 。
- 精密动态混合头适于各种粘度的PU胶混合均匀，达成发泡、密封、浇注填充及胶粘等应用。
- 新型混合原料管路，自动清洗装置，不堵料，使维护和保养的过程变得迅速、简便。
- 采用数控装置伺服齿轮马达驱动工作台，工作台上的模具按程序设定的轨迹移动，可自动浇注方形、圆形或特殊不规则形状的密封条，具有生产效率高，性能可靠，操作简便等特点。
- 新一代数控程序：简化工作路径程序的编程，精度高、性能更稳定，所有工作参数能被储存、计算、设置及监控。



- High-temperature resistant low-speed high-precision metering pump; accurate matching, flexible adjustment and measurement accuracy error of less than $\pm 0.5\%$.
- The precise dynamic mixing head is applicable to the mixing of PU glue of all viscosity, realization of foam, sealing, casting filling and adhesive etc.
- The new pipelines for material mixing as well as the automatic cleaning device ensures no blocking of materials, so that the process of maintenance and upkeep becomes quicker and easier.
- The workbench is driven by CNC servo gear motor and the molds on workbench move in accordance with the trajectory set by program; it can automatically make casting of square, round or irregular shaped sealing strip, with features like high efficiency, reliable performance and easy operation etc.
- A new generation of NC program: simplifying the programming of working path program; high precision and more stable performance; all the working parameters can be stored, calculated, set and monitored.



Working condition 使用条件

组分名称 Component name	混合比 Mixing ratio	温度/°C Temperature /°C	粘度 (cps) Viscosity (cps)
A (聚醚多元醇组合料) A (Polyether polyol mixed component)	100	20 - 25	< 1000
B (异氰酸酯, 改性MDI) B (Isocyanate enzyme, modified MDI)	10-35	20 - 25	200 - 3000



Main parameters 主要参数

项目/型号 ITEM / MODEL	PU $\frac{20}{30}$ J-LR1	PU $\frac{20}{30}$ J-LR2	PU $\frac{20}{30}$ J-LR3
混合比 (A:B) Mixing ratio	A:B=3:1	A:B=3:1	A:B=3:1
总吐出量 Total discharge amount (g/s)	2 - 8	6 - 18	10 - 30
矩形浇注量最大尺寸 (mm) Max. size of rectangular pouring amount	300X300	500X500	500X500
圆形浇注量最大尺寸 (mm) Max. size of round pouring amount	300	500	500
矩形移动速度 (m/min) Movement speed of rectangular (m/min)	5 - 20	5 - 20	5 - 20
圆形旋转速度 (r/min) Movement speed of circle (r/min)	15 - 100	15 - 100	15 - 100
总功率 (kW) Total power (kw)	8	9	9

PU20/30J-LR-Y SERIES

ROUND FILTER & SEALING GASKET
CASTING MACHINE

圆形滤清器密封垫发泡机



Application 用途

聚氨酯在工业密封领域应用越来越广泛，主动用来生产电板封条、电动和照明设备的密封装置、汽车的空气过滤器及工业过滤设备等。

The application range of polyurethane has become much wider in the field of industrial seals, mainly used to produce electricity board seals, sealing device of electric and lighting equipment, automobile air filter and industrial filter etc.

Features 特点

- 耐高温低转速高精度计量泵，配比精确，调节灵活，计量精度误差不超过 $\pm 0.5\%$ 。
- 精密动态混合头适于各种粘度的PU胶混合均匀，达成发泡、密封、浇注填充及胶粘等应用。
- 新型混合原料管路，自动清洗装置，不堵料，使维护和保养的过程变得迅速、简便。
- 新一代数控程序：简化工作路径程序的编程，精度高、性能更稳定，所有工作参数能被储存、计算、设置及监控。



- High-temperature resistant low-speed high-precision metering pump; accurate matching, flexible adjustment and measurement accuracy error of less than $\pm 0.5\%$.
- The precise dynamic mixing head is applicable to the mixing of PU glue of all viscosity, realization of foam, sealing, casting filling and adhesive etc.
- The new pipelines for material mixing as well as the automatic cleaning device ensures no blocking of materials, so that the process of maintenance and upkeep becomes quicker and easier.
- A new generation of NC program: simplifying the programming of working path program; high precision and more stable performance; all the working parameters can be stored, calculated, set and monitored.



Working condition 使用条件

组分名称 Component name	混合比 Mixing ratio	温度/°C Temperature/°C	粘度 (cps) Viscosity (cps)
A (聚醚多元醇组料) (Polyether polyol mixed component)	100	20 - 25	< 1000
B (异氰酸酯, 改性MDI) (Isocyanate, modified MDI)	10-35	20 - 25	200 - 3000



Main parameters 主要参数

项目/型号 ITEM / MODEL	PU20J-LR-Y1	PU20J-LR-Y2	PU20J-LR-Y3	PU20J-LR-Y4
混合比 (A:B) Mixing ratio	A:B=3:1	A:B=3:1	A:B=3:1	A:B=3:1
总吐出量 (g/s) Total discharge amount (g/s)	2-8	6-18	10-30	16-66
圆形浇注量最大尺寸: 直径 (mm) Max. size of round pouring amount: diameter	Φ300	Φ500	Φ500	Φ500
圆形旋转速度 (r/min) Rotational speed of circle (r/min)	15-100	15-100	15-100	15-100
总功率(kw) Total power (kw)	5	6	7	8

PU20J-W SERIES

POLYURETHANE HARD RUBBER FILTER
FOAMING MACHINE

聚氨酯硬胶滤芯发泡机



Application 用途

用于生产硬泡、半硬泡、自结皮、高回弹及慢回弹等微型聚氨酯制品，适用:保温杯、仪表浮子、玩具、垫肩、及鞋垫等。亦可用于大专院校和研究机构作配方实验之用。

Usage and feature: used in such miniature polyurethane products as hard foam, semi hard foam, self-skin formed foaming, high resilience and slow resilience, which are applied to: heat preservation cups, instrument bobbers, toys, shoulder pads and insoles etc. they may be also used in ingredient tests by colleges and research bodies.

Main parameters 主要参数

项目/型号 ITEM / MODEL	PU20J-W1	PU20J-W2	PU20J-W3	PU20J-W4
混合比(A:B) Mixing ratio	A:B=3:1	A:B=3:1	A:B=3:1	A:B=3:1
总吐出量(g/s) Total discharge amount (g/s)	1-3.5	2-8	6-18	10-30
浇注头搅拌转速 (r/min) Pouring head stirring speed (r/min)	4000-6000	4000-6000	4000-6000	4000-6000
圆形旋转速度 (r/min) Rotational speed of circle (r/min)	15-100	15-100	15-100	15-100
外形尺寸: (长x宽x高) mm External dimension: (LxWxH)mm	1400X1100X2000	1400x1100x2000	1400x1100x2000	1400x1100x2000
总功率(kw) Total power (kw)	6	6	7	8

POLYURETHANE HARD PLASTIC FOAM MACHINE

聚氨酯硬胶发泡机



Application 用途

- 用于生产滤清器硬胶、半硬胶。如滤清器铁两面端盖、机油滤纸粘接、空气滤清器安全芯垫等。
- 采用智能型全数字显示仪表，温度误差 $\leq \pm 1^{\circ}\text{C}$ 。
- 采用高精度低转速高精度计量泵，配比精确，调节灵活，计量精度误差不超过 $\pm 0.5\%$ 。保证了制品的正品率。
- 精密动态混合头适于各种粘度的PU胶混合均匀，达成发泡、密封、浇注填充及胶粘等应用。
- Applicable to the manufacture of hard rubber and semi-hard rubber of filter, such as the two-side end covers of filter, oil filter paper adhesion and safety pad of air filter etc.
- Using intelligent digital display meter, temperature error $\leq \pm 1^{\circ}\text{C}$.
- High-temperature resistant low-speed high-precision metering pump; accurate matching, flexible adjustment and measurement accuracy error of less than $\pm 0.5\%$. The rate of grated product is guaranteed.
- The precise dynamic mixing head is suitable for the uniform mixing of PU glue of all viscosities, applicable to foaming, sealing, casting filling and adhesive etc.

Main parameters 主要参数

项目/型号 ITEM / MODEL	PU20J-Y1	PU20J-Y2	PU20J-Y3	PU20J-Y4
混合比(A:B) Mixing ratio	A:B=3:1	A:B=3:1	A:B=3:1	A:B=3:1
总吐出量(g/s) Total discharge amount (g/s)	1-3.5	2-8	6-18	10-30
浇注头搅拌转速 (r/min) Pouring head stirring speed (r/min)	4000-6000	4000-6000	4000-6000	4000-6000
圆形旋转速度 (r/min) Rotational speed of circle (r/min)	15-100	15-100	15-100	15-100
外形尺寸: (长x宽x高) mm External dimension: (LxWxH)mm	1400X1100X2000	1400x1100x2000	1400x1100x2000	1400x1100x2000
总功率(kw) Total power (kw)	6	6	7	8

无溶剂PU革涂胶机 SERIES

SOLVENT-FREE PU LEATHER
COATING MACHINE

无溶剂PU革涂胶机



Application 用途

料涂胶机又称为刮胶机，自动喷胶机。主要用于玩具、包装、皮革、家电、电子产品等，可以实现自粘或者手动粘结，目的就是使它们的粘结性更精密细实。它主要用于人造革及很多皮革类的涂胶，包括皮具、皮包等，一些电子产品绝缘的情况下也是可以用它来进行粘结的。它具有无毒、环保、节省材料等特点。

Glue coating machine, also known as scraping plastic machine, automatic spray machine. Mainly used for toys, packaging, leather, household appliances, electronic products, can be self-adhesive or manual bonding, the purpose is to make their adhesion more precise fine.

It is mainly used for artificial leather and many kinds of leather coating, including leather, purses, and some electronic products can also be used to insulation case for bonding. It is non-toxic, environmentally friendly, saving materials and so on.

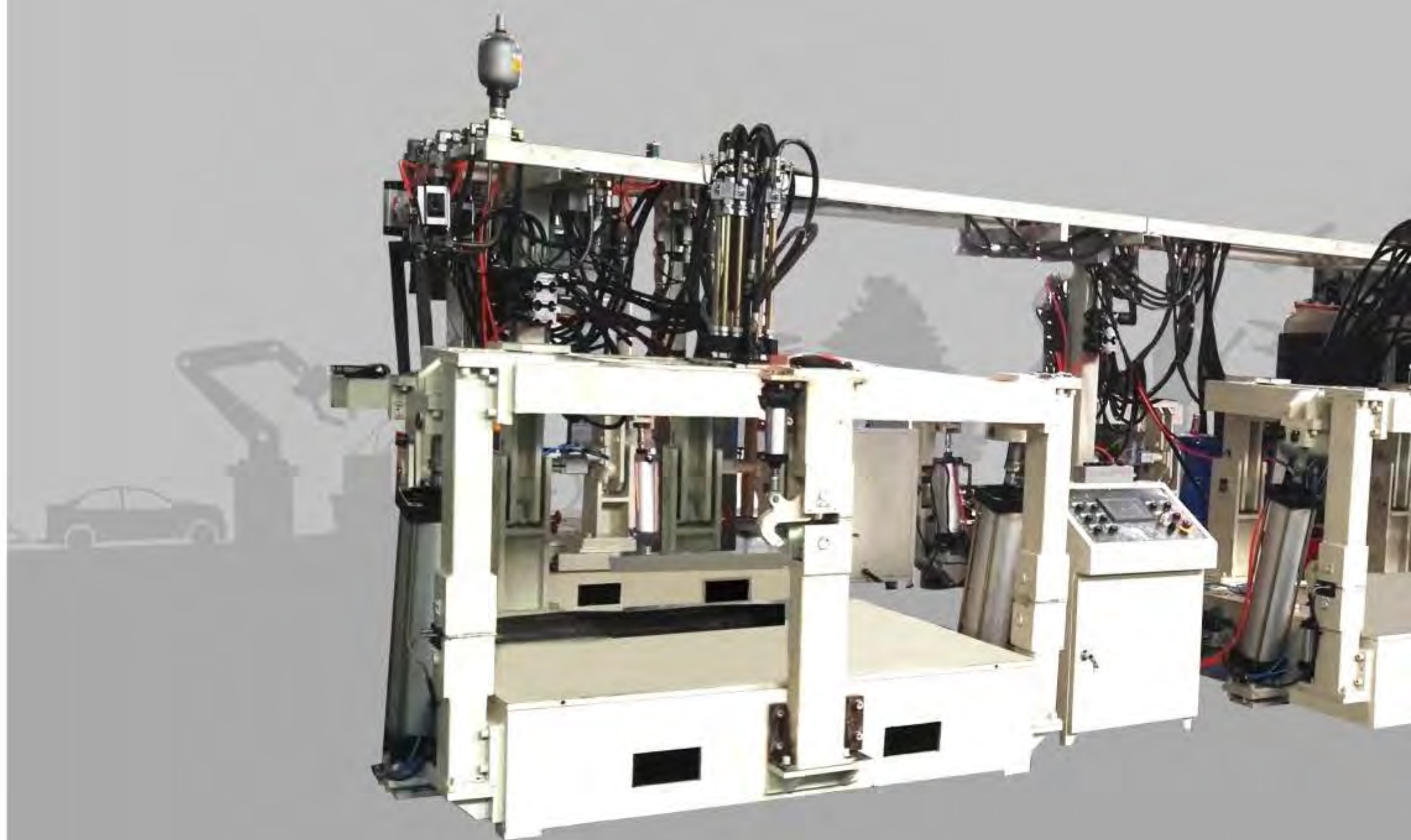
Features 特点

- 在操作中，将胶水或油漆之类的液体通过特定的机器喷涂在所需要加工的产品表面上。
- 采用三轴联动系统，能够实现完全自动化的操作。
- 采用PLC电脑编程控制，按照编程控制的路径进行按图喷涂，根据不同需求对功能进行定制化。
- 喷涂的厚度和时间可以自行设定，具有方便、灵活、效率高等特点。
- 配置添加剂系统，可在生产时同步添加色浆、助剂等添加剂。
- 连续工作时的总流量可随时调整，或随流水线车速联动。
- 活动机构全程数字化，优化吐料分配，减少机械磨损。
- 定量传输系统高兼容性，适应不同厂家配比的原材料。

- In operation, a liquid such as glue or paint is sprayed onto the surface of the product to be processed through a specific machine.
- The use of three-axis linkage system, to achieve fully automated operation.
- Using PLC computer programming control, in accordance with the programming control of the path according to map spray, according to the different needs of customized functions.
- Spraying thickness and time can be set, with convenient, flexible, high efficiency.
- Configure the additive system, can be added simultaneously in the production of colorants, additives and other additives.
- Continuous operation of the total flow can be adjusted at any time, or with the pipeline speed linkage.
- The entire process of digital agencies, optimize the distribution of spit material to reduce mechanical wear.
- Quantitative transmission system with high compatibility, to adapt to different manufacturers of raw materials ratio.



03 AE



Zce PU

泽程聚氨酯



辅助设备

AUXILIARY EQUIPMENT



生产线系列 模架系列
PRODUCTION LINE SERIES MOLD FRAME SERIES



ZC辅助设备 SERIES

RING PRODUCTION
LINE

环型生产线



Application 用途

- 用于生产各种空气滤清器密封垫产品，如圆形、长方形等异形产品。
- 小车运行速度平稳，电机利用变频调速，烘道采用多组多点温度控制装置，使烘道达到恒定温度。
- Used to produce all kinds of air filter gasket products, such as round, rectangular products and other products of special shapes.
- The car runs with steady speed, the motor uses frequency adjustment, and the drying tunnel uses multiple-unit and multi-point temperature control device, which enables the drying tunnel to reach constant temperature.



DISC PRODUCTION LINE

圆盘式生产线



Application 用途

- 圆盘式生产线是一种多用途的模具传送线，适用于少品种大批量生产。如汽车、摩托车座椅、汽车内饰件的发泡。转盘直径2米到12米客户自定。转盘是通过减速机驱动，速度用变频器无极调速。在转盘放置液压或气动模架，自动开、合模。采用机器自动方式或人工浇注。
- 转盘结构简单，生产效率高，维护方便等特点而被广泛采用。
- The round disc type production line is a kind of multi-purpose mold transportation line. It is suitable for production of few varieties and large batches, such as foaming of automobile and motorcycle seats and automobile inner decorations. The diameter of the rotary disc ranges from 2 meters to 12 meters, which is determined by customers. The rotary disc is driven by the speed reducer, and the speed adopts stepless speed adjustment by the frequency converter. Hydraulic or pneumatic die set is set on the rotary disc for automatic mold opening and closing. The robot automatic pouring or manual pouring is adopted.
- The rotary disc is widely used for its features such as simple structure, high production efficiency, convenient maintenance, etc.



PNEUMATIC MOLD FRAME
汽车内饰件模架



AUTOMATIC FILTER ELEMENT PRODUCTION LINE
全自动滤芯生产线



REACTOR
反应釜



POLYURETHANE VULCANIZING MACHINE
硫化机



信赖伙伴 RELIANT PARTNERS

泽程与上下游客户彼此分享知识、成就、
价值观、共同迎接未来的挑战。

Zecheng and its customers Share knowledge,
Achievements, and values to meet the Challenges of the
future together.



hwaon



ThermoFisher
SCIENTIFIC



inkometallioy

40 1977
2017
vuotta



CHENG



HGFS

ZOOMLION





中国聚氨酯设备专家

CHINA POLYURETHANE
EQUIPMENT EXPERT



温州市泽程机电设备有限公司

地 址：温州市牛山北路13号牛山商务大厦1009室

厂 址：温州市龙湾区滨海园区四道四路200号

联系人：潘瑶辉 林建东

手 机：13806548811 13757711881

电 话：0577-86588066 0577-86588155

传 真：0577-86588799

<http://www.zcepu.com>

E-mail: zc@zcepu.com

WENZHOU ZECHENG ELECTROMECHANICAL EQUIPMENT CO., LTD

ADD: Room 1009 Niushan Business Building No.13 Niushan North Road Wenzhou Zhejiang China

Factory: No. 200 4-way 4 Road Binhai Park Longwan Wenzhou Zhejiang China

Tel:0086-577-86588066 0086-577-86588266

Fax:0086-577-86588799

<https://www.pu-castingmachine.com>

E-mail: zc@zcepu.com